

# PRODUCT CATALOGUE

2020 edition



CLF Lighting is a Dutch brand which develops high quality lighting fixtures for live entertainment, theatre, television and corporate events. Our products are well-thought-out, unique and distinctive. The products are designed to fulfill specific demands in different markets.

Besides reliability we also put the focus on affordability in order to give every company in Europe the possibility to benefit from the quality of the CLF products. Our flexibility, service and long experience within the industry ensures that the CLF products will help you make your production successful.

Get in touch with us and learn more about CLF and the possibilities of our wide range of products.

# TABLE OF CONTENTS

YARA	5
HERA	7
SPECTRUM P1 DL	9
SPECTRUM P2 VW	11
ODIN	15
ARES	17
ARES XS	19
HERCULES	23
JUNO	25
TRICOLOR MINI PAR	27
QUADCOLOR MINI PAR	31
DYNAMIC WHITE PAR	33
LED FAN & LED FAN XL	35
APOLLO XS	39
APOLLO	41
APOLLO XL	43
LEDWASH XL	47
LEDWASH RGBW	49
LEDWASH CW-WW	51
LEDBAR PRO	53
AORUN	57
ORION	59
POSEIDON	61
BEAM 6	65
STINGER	67
SERIUS	69
HAZE I & II	73
EF SMOKE 1500 & 3100	75
TURBINE	76
W-BRIDGE	77
COMING SOON	79
TOURCASES	83
FLIGHTCASES	85
CABLES	86
CLAMPS	87

# YARA

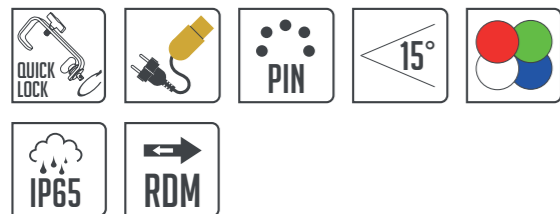
## OUTDOOR RGBW LED FIXTURE AFFORDABLE LIGHTING ESSENTIAL



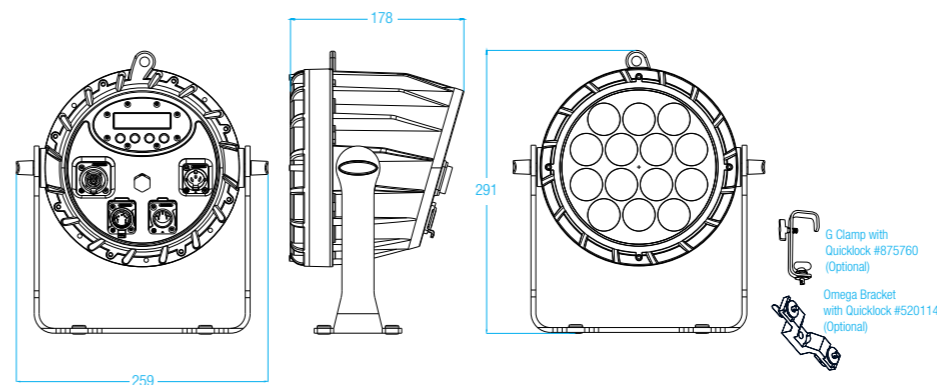
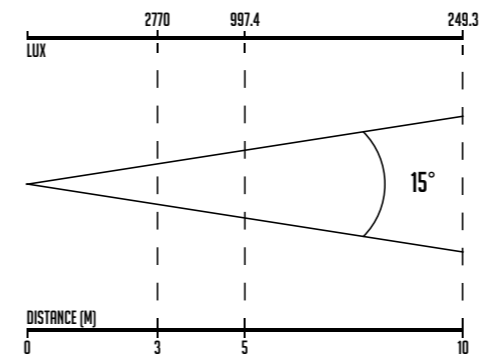
The CLF Yara is the ideal workhorse for every purpose. The LED fixture has an outstanding smooth RGBW color mixing delivered by 14 high power LEDs with a very punchy 15° beam angle. The specially selected LEDs provide high output with intense colors and an exceptional white balance. IP65 rating makes the Yara suitable for both in- and outdoor use.

The Yara comes with a unique design featuring a single bracket with both standing and hanging capabilities. Besides that, the solid housing makes the Yara the perfect solution for heavy on-the-road use.

The fixture is equipped with an LCD screen for easy access to the on-board settings. Silent operation is ensured because of the intelligent cooling system. Data and power are connected through the IP65 5-pin XLR and PowerCON TRUE1 connectors. Rigging is made easy by the iconic CLF quick lock system. The fixture is RDM ready.



- UNIQUE BRACKET DESIGN
- TOURING PROOF
- SMOOTH RGBW COLOR MIXING
- IP65 RATING
- SILENT OPERATION
- SMOOTH PROJECTION
- POWERCON TRUE1 IN & OUT
- RDM READY



### FACTSHEET

DMX channels	4, 5, 8, 11, HSV or HSI
Beam angle	15°
Power supply	100 - 240 VAC
Power consumption	Max. 100 Watt
Cooling	Passive cooling
DMX connection	5p XLR in & out (3p optional)
Dimensions	259 x 178 x 291 mm (lxxwxh)
Weight	5.5 Kg
Certification	CE, RoHS
Item number	156350
Included items	Power cable, manual
IP rating	IP65
Optional accessories	Snoot, barndoor & stand & flightcase



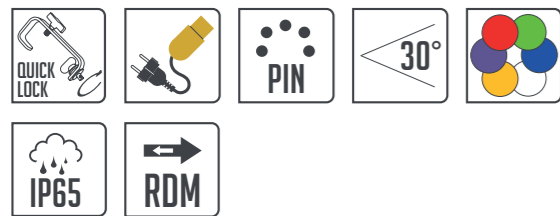
# HERA

## OUTDOOR RGBWAUV LIGHTING ESSENTIAL

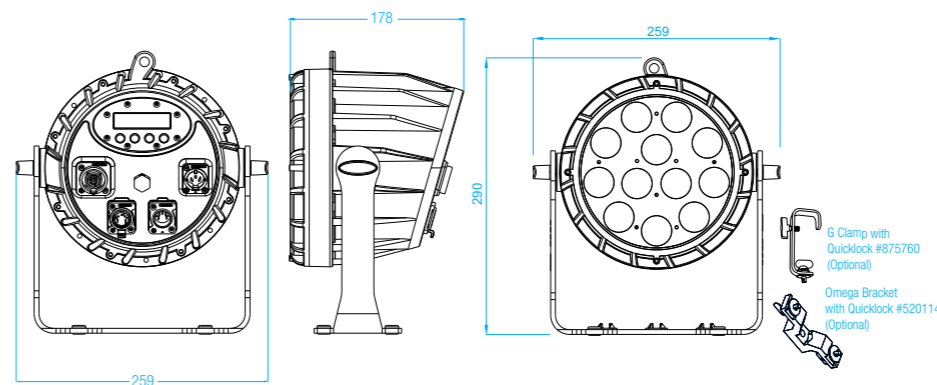
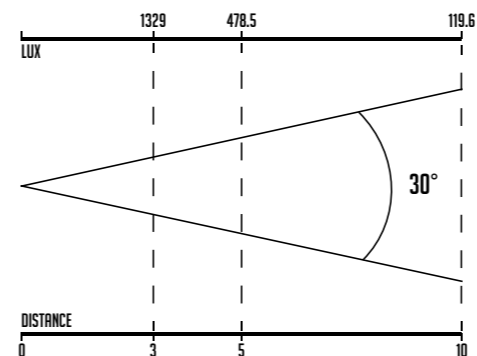
The CLF Hera features high output and outstanding smooth RGBWAUV color mixing. Rich colors, subtle pastel tones and a very homogenous 30° beam angle are delivered by 12 high power LEDs which can be dimmed precisely by the 16bit dimming control. IP65 rating makes the Hera suitable for both in- and outdoor use.

A unique single bracket design provides both standing and hanging opportunities, all in a touring-ready aluminum housing. The LCD display offers easy access to the menu settings and manual control.

Silent operation is ensured because of the intelligent cooling system. Data and power can be connected through the IP65 5 pin locking XLR and PowerCON TRUE1 connectors.



- UNIQUE BRACKET DESIGN
- TOURING-READY HOUSING
- RGBWAUV COLOR MIXING
- IP65 RATING
- ULTRA-SILENT
- RDM READY
- 30° BEAM ANGLE



### FACTSHEET

DMX channels	4, 5, 6, 7, 8, 11, 13, HSV, HSI
Beam angle	30°
Power supply	100 - 240 VAC
Power consumption	Max. 121 Watt
Cooling	Passive cooling
DMX connection	DMX 5p in & out (3p optional)
Dimensions	260 x 180 x 290 mm (lxwxh)
Weight	5.5 Kg
Certification	CE, RoHS
Item number	156360
Included items	Power cable, manual
IP rating	IP65
Optional accessories	Snoot, barndoor, flightcase & stand

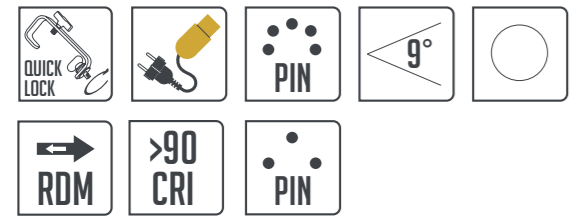
# SPECTRUM P1 DL

## POWERFUL COLD WHITE LED PAR

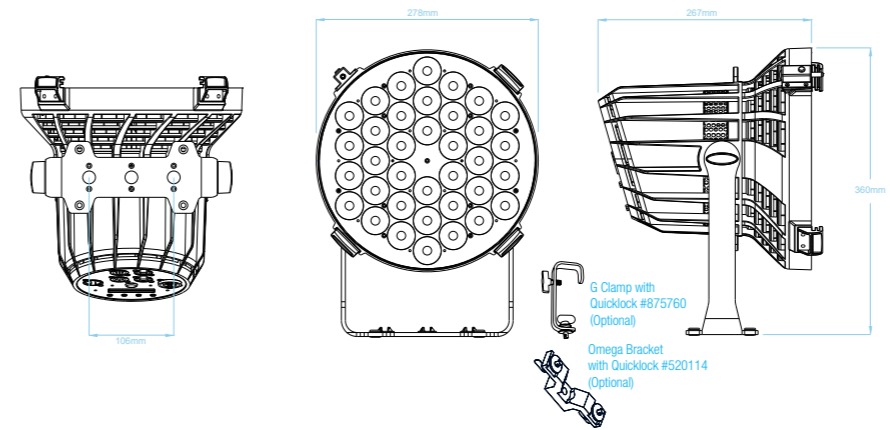
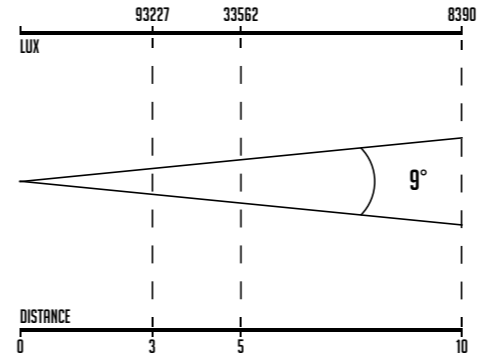


Designed for car shows and exhibitions or any other large scale venue, the Spectrum P1 Daylight is equipped with 36 high performance LEDs. Impressive output and a punchy 9° beam angle are ideal ingredients for long throw projection. Specially selected CREE LEDs provide a color temperature of 5700K at high CRI levels. 16bit dimming and flicker-free operation are also part of the feature set.

A unique single bracket design provides both standing and hanging opportunities and the LCD display offers easy access to the manual settings and manual control. The touring-ready housing takes care of a significant amount of convection cooling, whereas the intelligent, regulated fan ensures silent operation. Data and power can be connected through the 3 and 5 pin locking XLR and PowerCON TRUE1 connectors.



- IMPRESSIVE OUTPUT
- 5700K COLD WHITE LEDS
- TOURING-READY
- COMPACT HOUSING
- POWERCON TRUE 1 IN AND OUT
- XLR3 AND XLR5 PIN
- 9° BEAM ANGLE



### FACTSHEET

DMX channels	2, 3
Beam angle	9°
Power supply	100 - 240 VAC
Power consumption	Max. 450 Watt
Cooling	Passive cooling
DMX connection	DMX 3 and 5 pin in & out
Dimensions	278 x 278 x 346 mm (lxwxh)
Weight	5.7 Kg
Certification	CE, RoHS
Item number	157000
Included items	Power cable, manual
IP rating	IP20
Optional accessories	Flightcase & stand

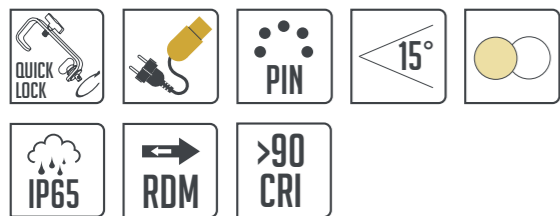


# SPECTRUM P2 VW

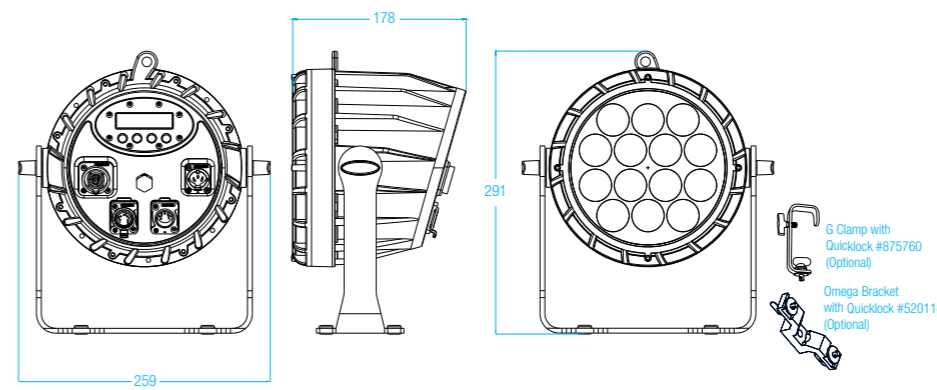
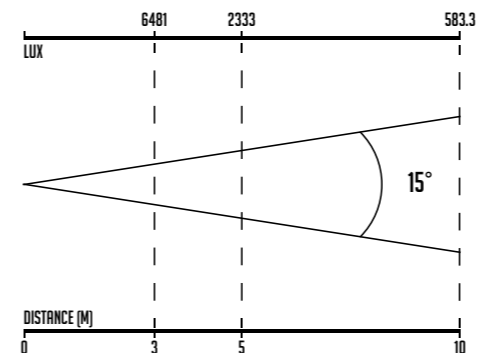
## OUTDOOR VARI-WHITE LIGHTING ESSENTIAL

The CLF Spectrum P2 VW features high output and a very precise white control between 2700K and 6500K. A CRI level of 90 and accurate dimming control make the CLF Spectrum P2 VW very suitable for any high demanding application. A very homogenous 15° beam angle is delivered by the 14 high power LEDs which are specially selected. IP65 rating makes the Spectrum P2 suitable for both in- and outdoor use.

A unique single bracket design provides both standing and hanging opportunities, all in a touring-ready aluminum housing. The LCD display offers easy access to the menu settings and manual control. Silent operation is ensured because of the intelligent cooling system. Data and power can be connected through the IP65 5 pin locking XLR and PowerCON TRUE1 connectors.



- UNIQUE BRACKET DESIGN
- TOURING-READY HOUSING
- VARI-WHITE (2700K - 6500K)
- IP65 RATING
- ULTRA-SILENT
- RDM READY
- 15° BEAM ANGLE



### FACTSHEET

DMX channels	2, 3, 4, 5, 6
Beam angle	15°
Power supply	100 - 240 VAC
Power consumption	Max. 107,5 Watt
Cooling	Passive cooling
DMX connection	DMX 5 p in en out (3p optional)
Dimensions	260 x 180 x 290 mm (lxwxh)
Weight	5.5 Kg
Certification	CE, RoHS
Item number	157200
Included items	Power cable, manual
IP rating	IP65
Optional accessories	Snoot, barndoor, flightcase & stand



Case: Navarone Clubtour  
Products involved: CLF LEDbar PRO & CLF Ares  
Photo: Femke de Schepper

# ODIN

## POWERFUL OUTDOOR ZOOM PAR

The Odin combines cutting-edge LED technology, excellent light quality and a sturdy outdoor housing. Designed for high-demanding applications it comes with an outstanding optical system which ensures even light and color projection. The fixture comes with a fast and accurate zoom function which ranges from 11° to 50°. The IP65 rating makes it suitable for indoor and outdoor usage.

The RGB+Lime LED engine generates a rich color set, from vivid and saturated colors to subtle pastels. Adding lime fills the gaps between red, green, blue and enhances the color spectrum of the fixture. It also adds beautiful white tones to the feature set. High performance LEDs deliver high CRI and R9 values.

Packed in a signature CLF housing, the Odin combines convection cooling with an ultra-quiet intelligent fan. The fixture can be aimed easily by using the one button test function. The fixture can also be configured for exhibition applications by using the definable user modes. All in all, it is the ultimate workhorse for applications where superior lighting quality is required.



- SMOOTH RGB+LIME COLOR MIXING
- IP65 RATING
- 11-50° ZOOM RANGE
- HIGH CRI & R9 VALUES
- SILENT OPERATION
- DEFINABLE USER MODES



### FACTSHEET

DMX channels	6, 8, 9, 13 channels
Beam angle	11° - 50°
Power supply	100 - 240 VAC
Power consumption	Max. 262 Watt
Cooling	Intelligent & convection fan
DMX connection	5p DMX in & out (3p optional)
Dimensions	314 x 253 x 363 mm (lxwxh)
Weight	6 Kg
Certification	CE, RoHS, MET pending
Item number	156360
Included items	Power cable, manual
IP rating	IP65
Optional accessories	Snoot & barndoor



# ARES

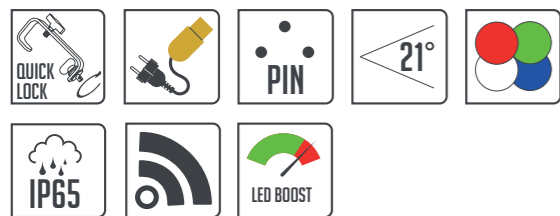
## SUPERIOR RGBW LED WASH 4 INDIVIDUALLY CONTROLLABLE SEGMENTS



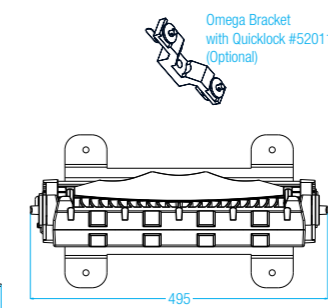
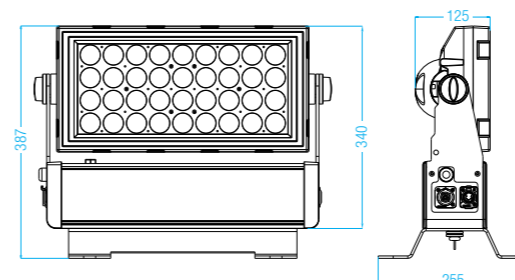
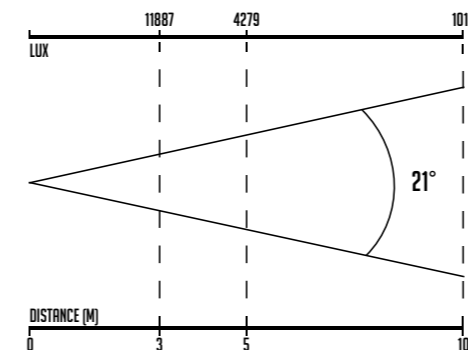
The CLF Ares is an extremely powerful LED wash fixture which is perfect for illuminating large surfaces both in- and outdoor. Extreme brightness and an extraordinary even projection make the Ares a true LED alternative for traditional wash lights. The array of 36 calibrated high power RGBW LEDs is divided in four individually controllable horizontal segments.

The Ares is equipped with a punchy 21° beam angle, which can be easily adapted to other beam angles, even elliptical, by using the Smart Filter System®. The unique LED boost mode offers 120% output when only using two colors simultaneously. The Ares comes with an intelligent cooling system which provides extensive fan control and is especially useful for TV and theatre use. All in all, the Ares is a versatile LED wash that can be used for many applications.

The CLF Ares comes with a filterframe, barndoor and a Wireless Solution W-DMX™ receiver on board, but can also be connected with 3-pin XLR connectors. Power is connected through a PowerCON TRUE1 connector.



- ADJUSTABLE BEAM ANGLE, SEVERAL FILTERS AVAILABLE (E.G. 36° AND 54°)
- DESIGNED FOR MULTIPLE APPLICATIONS
- DEEP AND SATURATED COLORS
- FLICKER FREE OPERATION
- SOLID HOUSING
- WIRELESS DMX
- IP65 RATING



### FACTSHEET

DMX channels	4-9-11-16-21-27-30
Beam angle	21°*
Power supply	100 - 240 VAC
Power consumption	Max. 360 Watt
Cooling	Intelligent cooling system
DMX connection	3p XLR in & out (5p optional)
Dimensions	495 x 125 x 340 mm (lxwxh)
Dimensions (with stand)	495 x 255 x 387 mm (lxwxh)
Weight (without accessories)	12,7 Kg
Certification	CE, RoHS
Item number	156220
Included items	Cable, barndoor, filter frame & stand
IP rating	IP65
Optional accessories	Flightcase, omega bracket
* adjustable with Smart Filter System, options: 36.6°, 54.2°, 63.6°, 82.7°, 21° x 63.6°, 63.6° x 21°, 63.6° x 92°	

# ARES XS

## SUPERIOR LED WASH

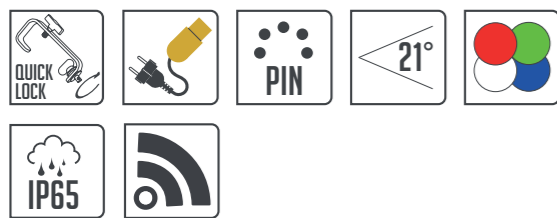
### 3 INDIVIDUALLY CONTROLLABLE SEGMENTS



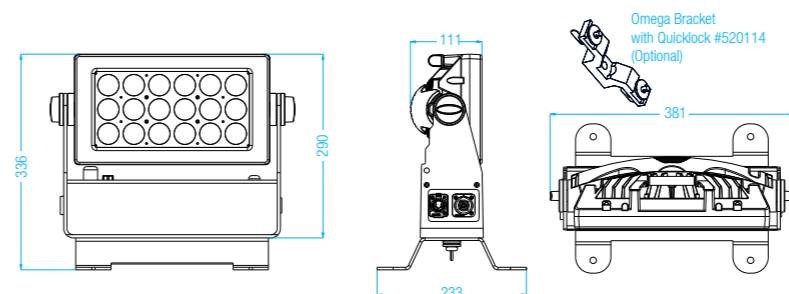
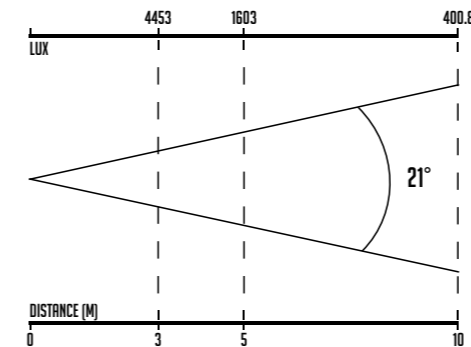
The Ares XS is the smaller brother of the Ares, which has been proven to be a lighting essential for many different purposes. The powerful LED wash fixture is perfect for illuminating large surfaces both in- and outdoor. Extreme brightness and an extraordinary even projection make the Ares XS a true LED alternative for traditional wash lights. The array of 18 calibrated high power RGBW LEDs is divided in three individually controllable horizontal segments.

The Ares XS is equipped with a punchy 21° beam angle, which can be easily adapted to other beam angles, even elliptical, by using the Smart Filter System®. The intelligent cooling system makes sure that the Ares XS is ready for TV and theatre productions. All in all, the Ares is a versatile LED wash that can be used for many applications.

The fixture comes with a filterframe, barndoor and a Wireless Solution W-DMX™ receiver on board, but can also be connected with XLR connectors. Power is connected through a PowerCON TRUE1 connector.



- ADJUSTABLE BEAM ANGLE, SEVERAL FILTERS (E.G. 36° AND 54°)
- DESIGNED FOR MULTIPLE APPLICATIONS
- DEEP AND SATURATED COLORS
- FLICKER FREE OPERATION
- TOURING PROOF HOUSING
- WIRELESS DMX
- IP65 RATING
- RDM READY



#### FACTSHEET

DMX channels	4-9-11-12-17-23-24
Beam angle	21°*
Power supply	100 - 240 VAC
Power consumption	Max. 300 Watt
Cooling	Intelligent cooling system
DMX connection	5p XLR in & out (3p optional)
Dimensions	381 x 111 x 290 mm (lxwxh)
Dimensions (with stand)	381 x 233 x 336 mm (lxwxh)
Weight (without accessories)	8,7 Kg
Certification	CE, RoHS
Item number	156225
Included items	Cable, barndoor, filterframe & stand
IP rating	IP65
Optional accessories	Flightcase, omega bracket

\* adjustable with Smart Filter System, options: 36.6°, 54.2°, 63.6°, 82.7°, 21° x 63.6°, 63.6° x 21°, 63.6° x 92.4°



Case: Parookaville  
Products involved: CLF Aorun, CLF LEDbar PRO, CLF Ares & CLF Orion  
Photo: Spark

# HERCULES

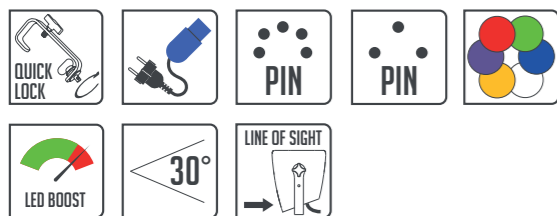
## RGBWAUV COLOR MIXING SMART FILTER SYSTEM



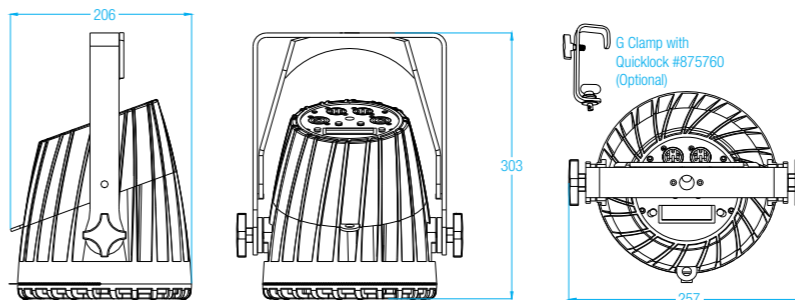
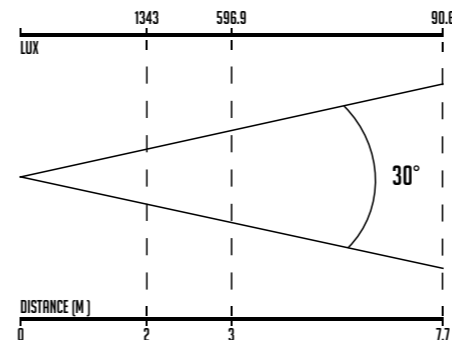
The CLF Hercules is an innovative concept which combines superior RGBWAUV color mixing, smart design and adaptable beams through the exclusive Smart Filter System. Specially selected high quality LEDs provide deep, saturated colors with an outstanding white balance and exceptionally smooth projection.

Guaranteed flicker free operation makes the Hercules suitable for tv shows, theatre and corporate events. With the Smart Filter System®, users can adapt the shape and beam angle by inserting specially designed filters (optional). Even elliptical filtersets are available. The unique shape of the Hercules prevents cables to be in sight.

A clear LCD display gives access to all settings, including different dimmer curves. Controlled by DMX, the Hercules offers extensive color temperature control & a pre-programmed FX engine. Standard the Hercules comes with 5-pin XLR connectors, through the supplied board it can be easily converted to 3-pin XLR. Available accessories are a detachable snoot, barndoor and a Wireless Solution W-DMX™ receiver. The CLF Hercules is the perfect choice for professional & high demanding users.



- 30° BEAM ANGLE
- COMPACT & LIGHT HOUSING
- HIGH OUTPUT
- DOUBLE BRACKET FOR FLOOR AND TRUSS MOUNTING
- FLICKER FREE OPERATION
- INTENSE COLORS DUE TO SPECIALLY SELECTED LEDES
- WIRELESS DMX (OPTIONAL)
- 6 IN 1 LEDES



### FACTSHEET

DMX channels	6, 8 or 12 channels
Beam angle	30°*
Power supply	100 - 240 VAC
Power consumption	Max. 105 Watt
Cooling	Low noise regulated fan
DMX connection	5p XLR in & out
Dimensions	257 x 206 x 303 mm (lxwxh)
Weight	5,5 Kg
Certification	CE, RoHS
Item number	156170
Included items	Power cable, manual & 3p board
IP rating	IP22
Optional accessories	Barndoor, Wireless board, Flightcase

\* adjustable with Smart Filter System, options: 39.1°, 55.9°, 65°, 83.8°, 65° x 25°

# JUNO

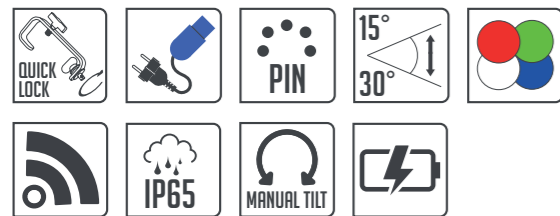
## RGBW WALLWASHER WIRELESS DMX / BATTERY POWERED



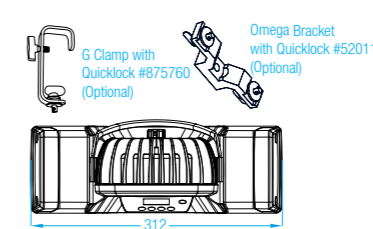
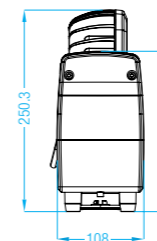
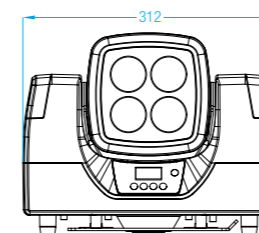
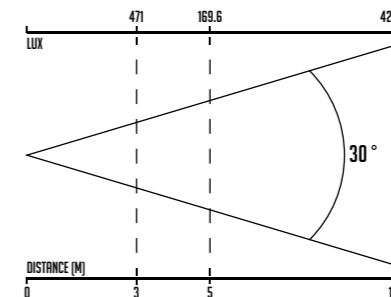
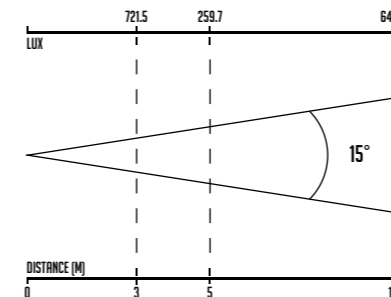
The CLF Juno is a battery powered RGBW LED luminaire for in and outdoor use. Besides the rechargeable lithium battery, the Wireless Solution W-DMX™ receiver allows complete stand-alone use without the need to run cables, which reduces set-up time radically.

The operating time is around 8 to 12 hours on a full battery. Manual operation of the tilt and zoom (15°-30°) function makes the Juno perfectly suitable for illuminating objects like walls and pillars at high end rental projects and corporate events. Specially selected, high quality CREE LEDs provide deep and intense colors through a unique lens which provide an outstanding color mixing.

Besides DMX control, the Juno comes with pre-programmed macros and can be controlled manually. All controls can be found in the menu of the on-board OLED display which also shows battery, wireless and DMX status. It is also possible to connect the Juno through Neutrik® powerCON and 5-pin DMX connectors for regular cable use. When operating with PowerCON, the Juno also charges automatically. 6 Juno's are delivered with a well-thought-out flightcase which is equipped with an intelligent charging system. The system is connected through one power cable and is provided with indication lights.



- 15° TO 30° BEAM ANGLE, MANUAL ZOOM
- CHARGE VIA CONNECTION ON THE BOTTOM AND/OR POWERCON
- WATERPROOF (IP65) HOUSING
- SOLID HOUSING
- CONVECTION COOLING
- LITHIUM BATTERY



### FACTSHEET

DMX channels	4, 6, 10, HSV, HSI Channels
Beam angle	15 - 30° (manual zoom)
Power supply	100 - 240 VAC
Power consumption	Max. 50 Watt
Cooling	Convection / no fan
DMX connection	5p XLR in & out (3p optional)
Dimensions	312 x 108 x 250 mm (lxwxh)
Weight	5,5 Kg
Certification	CE, RoHS
Item number	156500
Included items	Power cable, manual & Flightcase (per 6 pcs)
IP rating	IP65
Optional accessories	Omega bracket

# TRICOLOR MINI PAR

## COMPACT RGB FIXTURE

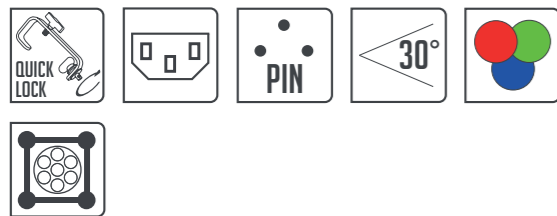
### SUITABLE FOR ALL PURPOSES



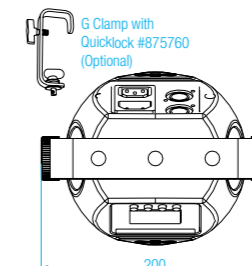
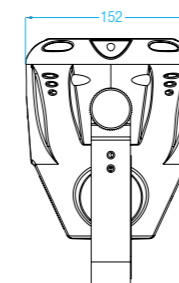
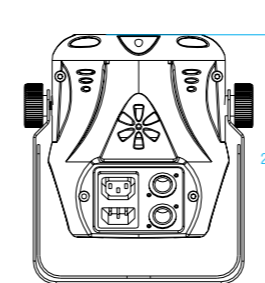
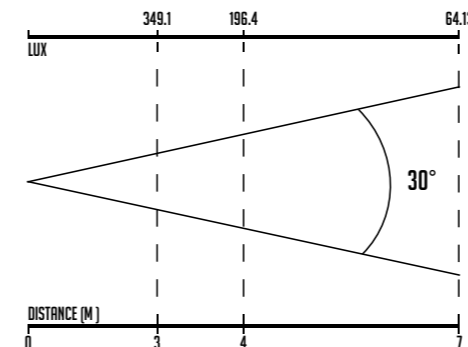
The CLF Tricolor Mini PAR is a compact RGB LED fixture with an impressive output for an affordable price. The Tricolor Mini PAR offers deep saturated, intense colors due to the specially selected LEDs. The powerful LEDs provide extremely high output and ensure flicker-free operation for all types of TV and camera use.

The fixture comes with a 30° beam angle which is perfect for illuminating large surfaces and can also be used for effect lighting. Because of the compact and light housing, the Tricolor Mini PAR fits inside most truss types which makes it the ideal spotlight. Besides DMX control, the fixture can also be controlled stand alone or in master / slave mode. The Tricolor Mini PAR comes with pre-programmed macros.

All controls can be found in the menu on the on-board LCD display. The fixture has a double bracket so it can be placed on the floor or mounted to truss structures by using the CLF quicklock system. This unique hanging system is easy to use and time-saving. An optional barndoor is available.



- 30° BEAM ANGLE
- COMPACT & LIGHT HOUSING
- DOUBLE BRACKET FOR FLOOR AND TRUSS MOUNTING
- FLICKER FREE OPERATION
- CLEAR MENU STRUCTURE FOR OPERATION SETTINGS
- LIGHTWEIGHT



#### FACTSHEET

DMX channels	3, 4 or 10 channels
Beam angle	30°
Power supply	100 - 240 VAC
Power consumption	Max. 35 Watt
Cooling	Fan
DMX connection	3p XLR in & out
Dimensions	200 x 152 x 250 mm (lxwxh)
Weight	2,5 Kg
Certification	CE, RoHS
Item number	156100
Included items	Power Cable & manual
IP rating	IP22
Optional accessories	Barndoor, flightcase, & LED board CW-WW



20

Case: Studio RTL 7 Darts  
Product involved: CLF Tricolor mini PAR & CLF LEDwash RGBW  
Photo: Spark

# QUADCOLOR MINI PAR

## COMPACT RGBW FIXTURE

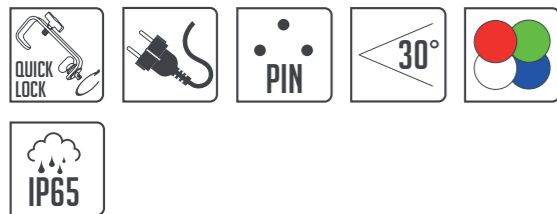
### SOLID IP65 HOUSING



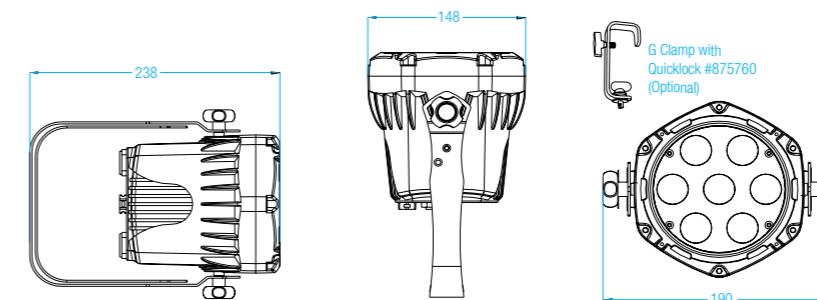
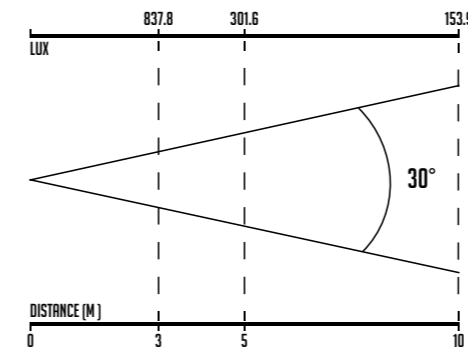
The CLF Quad Color Mini PAR is a compact RGBW LED fixture with an impressive output for in- and outdoor use. The Quad Color mini PAR offers deep saturated, intense colors due to the specially selected LEDs with the inserted white LEDs it is possible to create a huge range of colors. The powerful LEDs provide extremely high output and ensure flicker-free operation for all types of TV and camera use.

The fixture comes with a 30° beam angle which is perfect for illuminating large surfaces and can also be used for effect lighting. The solid housing of the fixture makes it suitable for every rental stock and fixed installation. Besides DMX control, the fixture can also be controlled stand alone or in master / slave mode. The Quad Color Mini PAR comes with pre-programmed macros.

The fixture has a double bracket so it can be placed on the floor or mounted to truss structures by using the unique CLF quicklock system. This hanging system is easy to use and time-saving. The Quadcolor Mini PAR is equipped with waterproof cables to ensure an IP65 rating. Adapters to schuko and XLR are included. An optional barndoor is also available.



- 30° BEAM ANGLE
- SOLID HOUSING
- IP65
- DOUBLE BRACKET FOR FLOOR AND TRUSS MOUNTING
- FLICKER FREE OPERATION
- INTENSE COLORS DUE TO SPECIALLY SELECTED LEDs
- CLEAR MENU STRUCTURE FOR OPERATION SETTINGS



#### FACTSHEET

DMX channels	3, 4, 5, 6 or 11 channels
Beam angle	30°
Power supply	100 - 240 VAC
Power consumption	Max. 56 Watt
Cooling	Convection
DMX connection	3p XLR in & out
Dimensions	190 x 148 x 238 mm (lxwxh)
Weight	2,5 Kg
Certification	CE, RoHS
Item number	156120
Included items	Power cable schuko - IP65 DMX cable XLR3 male, manual & female - IP65
IP rating	IP65
Optional accessories	Barndoor & extension cables



# DYNAMIC WHITE PAR

## COMPACT LED FIXTURE

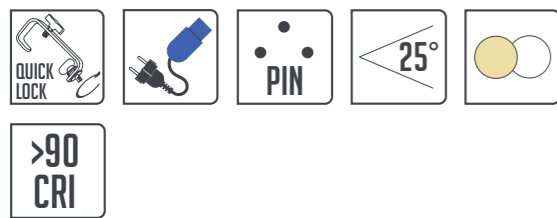
### COLD & WARM WHITE LEDs



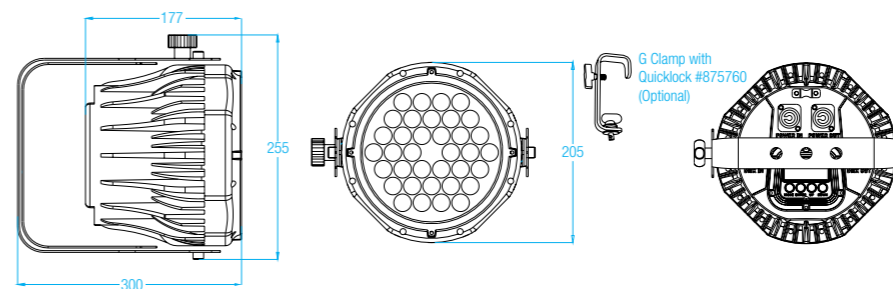
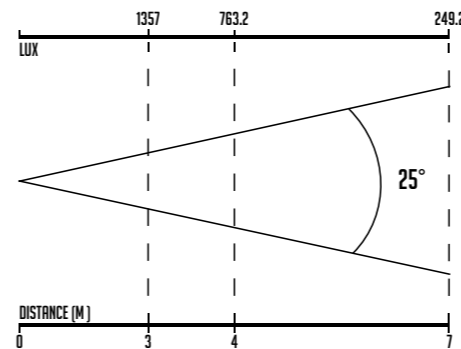
The CLF Dynamic White PAR is a compact LED fixture with an extraordinary high output which contains warm and cold white high power LEDs. The powerful LEDs provide extremely high output and ensures flicker-free operation when using cameras.

The Dynamic White PAR contains specially selected LEDs which provide cold and warm white with a CRI > 90. Warm and cold white control between 2,800K and 6,500K and color mixing can be adjusted in 3 different DMX modes or by using the on-board menu. The fixture contains both powerCON in and out and can be connected with three pins XLR. No fan is installed in the Dynamic White PAR so it is also suitable for silent applications.

The fixture can be placed on the floor or mounted to truss structures by using the unique CLF quicklock system. This hanging system is easy to use and time-saving. The solid housing of the fixture makes it suitable for every rental stock and fixed installation.



- 25° BEAM ANGLE
- EXTENSIVE WHITE COLOR TEMPERATURE CONTROL (2,800K – 6,500K, CRI>90)
- SOLID HOUSING
- DOUBLE BRACKET FOR FLOOR AND TRUSS MOUNTING
- FLICKER FREE OPERATION
- POWERCON IN AND OUT



#### FACTSHEET

DMX channels	2, 3 or 7 channels
Beam angle	25°
Power supply	100 - 240 VAC
Power consumption	Max. 82 Watt
Cooling	Convection / no fan
DMX connection	3p XLR in & out
Dimensions	255 x 205 x 300 mm (lxwxh)
Weight	4 Kg
Certification	CE, RoHS
Item number	156000
Included items	Power cable, Filter Frame, manual
IP rating	IP22
Optional accessories	Snoot, barndoor & flightcase

# LED FAN

## PROPELLER RGB LED EFFECT

- SIX LED BLADES
- CONTROLLABLE IN TWO SEGMENTS
- POWERCON TRUE1 IN & OUT
- DIFFERENT MOUNTING OPTIONS



The LED Fan and LED Fan XL are versatile and spectacular LED effects which can be used for decorative purposes. Six vigorous LED blades are equipped with RGB LEDs. Controllable in two segments, these LEDs provide intense and saturated colors.

# NEW!



### FACTSHEET

DMX channels	5, 11CH
Power supply	100 - 240 VAC 50/60HZ
Power consumption	180W
Cooling	Convection
DMX connection	DMX 3 & 5p in & out
Dimensions	700 x 80 x 700mm (hxxwxxl)
Weight	11 Kg
Certification	CE, RoHS
Item number	850-2040
Included items	Power cable, manual

# LED FAN XL

## PROPELLER RGB LED EFFECT

- SIX LED BLADES
- CONTROLLABLE IN TWO SEGMENTS
- POWERCON TRUE1 IN & OUT
- DIFFERENT MOUNTING OPTIONS



The blades of the LED Fan and LED Fan XL can be moved fast and precise in both directions, offering many creative possibilities. Multiple mounting positions can be used to connect rigging brackets.

# NEW!



### FACTSHEET

DMX channels	5, 11CH
Power supply	100 - 240 VAC 50/60HZ
Power consumption	250W
Cooling	Convection
DMX connection	DMX 3 & 5p in & out
Dimensions	1000 x 100 x 1000mm (hxxwxxl)
Weight	29 Kg
Certification	CE, RoHS
Item number	850-2045
Included items	Power cable, manual



coono

Case: I Am Hardstyle  
Products involved: CLF Aorun, CLF Orion, CLF Conan & CLF Yara  
Photo: Spark

# APOLLO XS

## RETRO STYLE EFFECT MACHINE

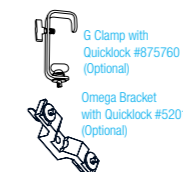
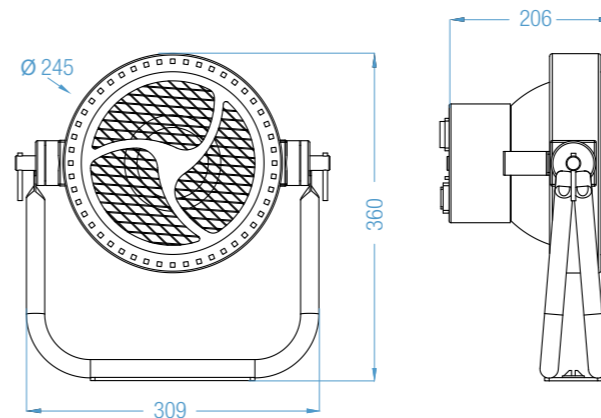
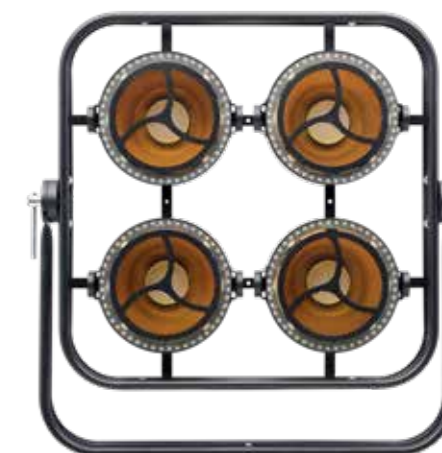
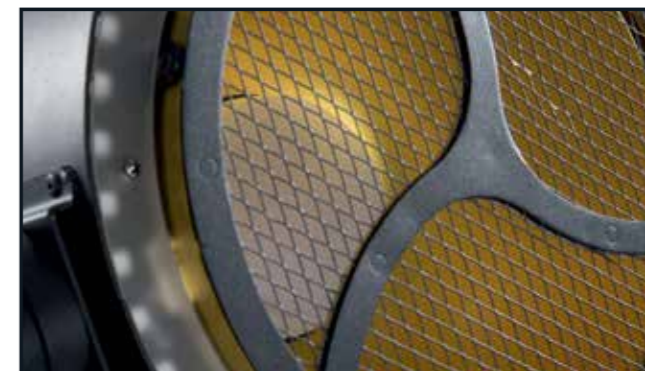


The CLF Apollo XS is a retro style 'on stage eye-candy' effect with various, separately controllable, LED segments. A powerful warm white / amber LED center effect is surrounded by an RGB ring.

Combine a vintage tungsten look with modern, colourful, LED animation effects. Pre-programmed effects make it easy to create impressive and attractive effects, but different DMX modes allows precise control of all different LED segments for extensive control.



- ONSTAGE EYE-CANDY EFFECT
- WARM WHITE / AMBER CENTER LED
- RGB OUTER RING
- POWERCON TRUE1 IN AND OUT



### FACTSHEET

DMX channels	2, 7, 10, 16
Power supply	100 - 240 VAC
Power consumption	Max. 100 Watt
Cooling	Temperature controlled fan
DMX connection	5 pin XLR
Dimensions	309 x 206 x 360 mm (lxwxh)
Weight	3.35 Kg
Certification	CE, RoHS
Item number	156701
Included items	Power cable, signal cable & manual
IP rating	IP20
Optional accessories	Flightcase, stand, 4 unit frame & 7 unit frame

# APOLLO

## RETRO STYLE EFFECT MACHINE

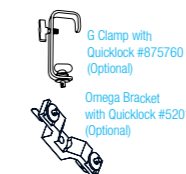
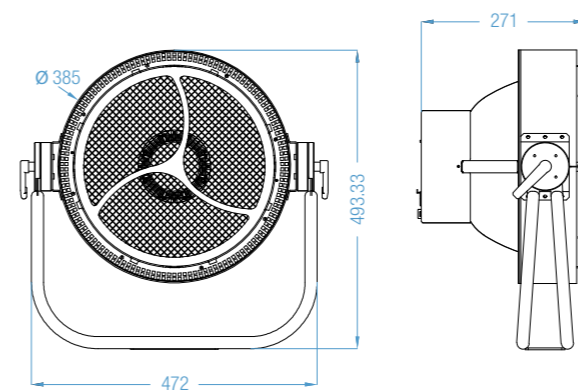
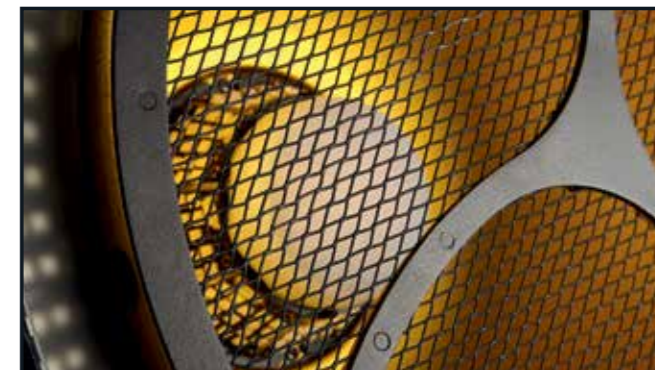


The CLF Apollo is a retro style 'on stage eye-candy' effect with various, separately controllable, LED segments. A powerful warm white / amber LED center effect is surrounded by eight RGB segments which illuminate the iconic golden inside reflector. Around the parabolic reflector, eight different RGB segments provide even more creative possibilities.

Combine a vintage tungsten look with modern, colourful, LED animation effects. Pre-programmed pixel effects make it easy to create impressive and attractive effects, but different DMX modes allows precise control of all different LED segments for extensive control.



- ONSTAGE EYE-CANDY EFFECT
- WARM WHITE / AMBER CENTER LED
- RGB OUTER RING
- RGB REFLECTOR RING
- INDIVIDUAL LED SEGMENTS
- POWERCON TRUE1 IN AND OUT



### FACTSHEET

DMX channels	2, 7, 16, 51, 55, 64
Power supply	100 - 240 VAC
Power consumption	Max. 400 Watt
Cooling	Temperature controlled fan
DMX connection	5 pin XLR
Dimensions	472 x 271 x 494 mm (lxwxh)
Weight	8.25 Kg
Certification	CE, RoHS
Item number	156700
Included items	Power cable, signal cable & manual
IP rating	IP20
Optional accessories	Flightcase & stand

# APOLLO XL

## RETRO STYLE

### EFFECT MACHINE

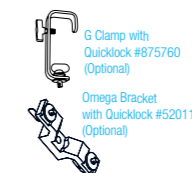
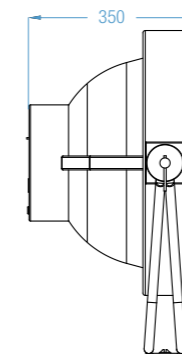
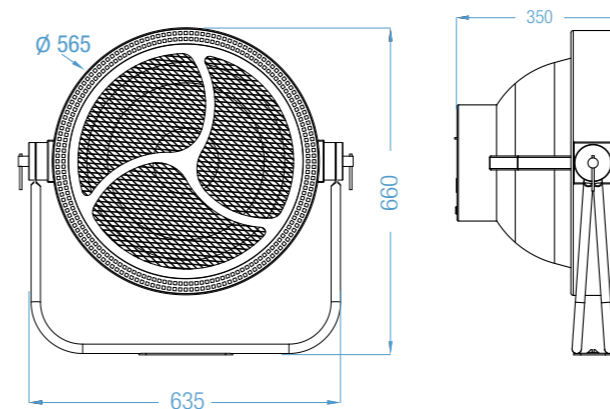
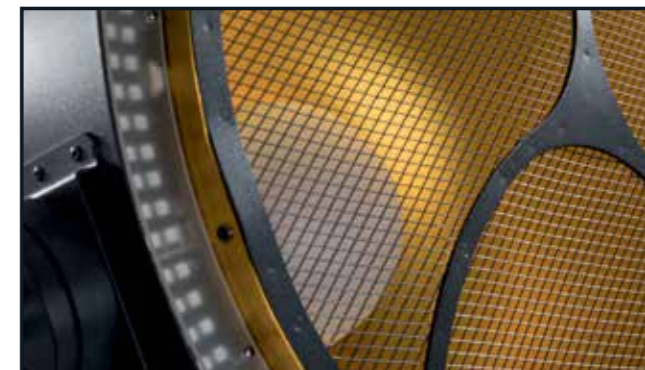


The CLF Apollo is a retro style 'on stage eye-candy' effect with various, separately controllable, LED segments. A powerful warm white / amber LED center effect is surrounded by eight RGB segments which illuminate the iconic golden inside reflector. Around the parabolic reflector, eight different RGB segments provide even more creative possibilities.

Combine a vintage tungsten look with modern, colourful, LED animation effects. Pre-programmed pixel effects make it easy to create impressive and attractive effects, but different DMX modes allows precise control of all different LED segments for extensive control.



- ONSTAGE EYE-CANDY EFFECT
- WARM WHITE / AMBER CENTER LED
- RGB OUTER RING
- RGB REFLECTOR RING
- INDIVIDUAL LED SEGMENTS
- POWERCON TRUE1 IN AND OUT



#### FACTSHEET

DMX channels	2, 7, 16, 51, 55, 64
Power supply	100 - 240 VAC
Power consumption	Max. 600 Watt
Cooling	Temperature controlled fan
DMX connection	5 pin XLR
Dimensions	635 x 350 x 660 mm (lxwxh)
Weight	12 Kg
Certification	CE, RoHS
Item number	156702
Included items	Power cable, signal cable & manual
IP rating	IP20
Optional accessories	Flightcase & stand



Case: Untold Festival  
Products involved: CLF Yara, CLF Ares, CLF Aorun, CLF Orion & CLF LEDbar PRO  
Photo: Alive Coverage

# LEDWASH XL

## MULTIFUNCTIONAL RGBW WASH 2 INDIVIDUALLY CONTROLLABLE SEGMENTS

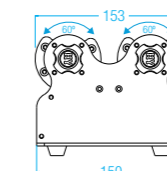
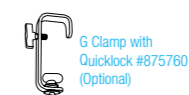
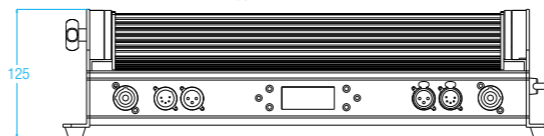
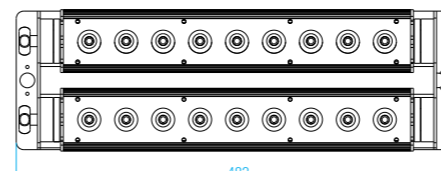
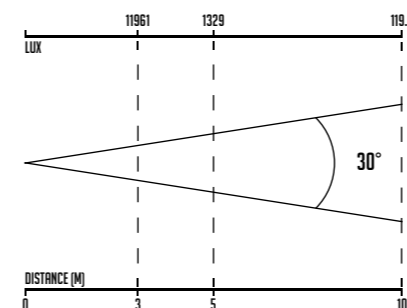
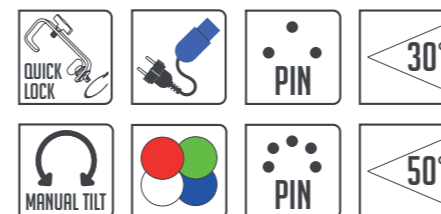
- MANUALLY 60° ADJUSTABLE TILT
- 30° AND 50° BEAM ANGLE
- INTENSE COLORS DUE TO SPECIALLY SELECTED LEDS
- CLEAR MENU STRUCTURE FOR OPERATION SETTINGS
- EXCEPTIONALLY SMOOTH COLOR MIXING
- FLICKER FREE OPERATION
- POWERCON IN AND OUT



The CLF LEDwash XL is a unique, one-of-a-kind wash fixture with two LED segments. The two horizontal LED battens can be manually tilted and controlled separately. Because of the 30° and 50° lens it is possible to use the fixture as wallwash with both parts complementing each other. Besides that, the fixture can be used to illuminate two different surfaces simultaneously.

The LEDwash XL is the perfect solution for illuminating large surfaces like walls, curtains and horizons. The technologies prevent multicolor shadows and provide deep saturated colors. The low and compact housing makes the fixture hardly noticeable. The fixture can be placed on the floor or mounted to truss structures by using the CLF quicklock system.

The fixture features 18 specially selected LEDs which provide deep and intense colors. The powerful LEDs provide extremely high output and ensure flicker-free operation for all types of TV and film use. RGBW and dimming can be controlled in 7 different DMX modes or by using the on-board menu. The fixture contains both powerCON in and out and can be connected with 3-pin and 5-pin XLR.



### FACTSHEET

DMX channels	3, 4, 5, 6, 8, 11 or 15 channels
Beam angle	30 and 50°
Power supply	100 - 240 VAC
Power consumption	Max. 130 Watt
Cooling	Low noise fan
DMX connection	3 & 5p XLR in & out
Dimensions	483 x 153 x 125 mm (lxwxh)
Weight	5,2 Kg
Certification	CE, RoHS
Item number	156430
Included items	Power cable, manual
IP rating	IP22
Optional accessories	Flightcase



# LEDWASH RGBW

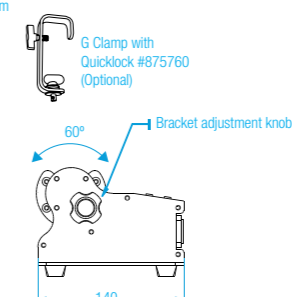
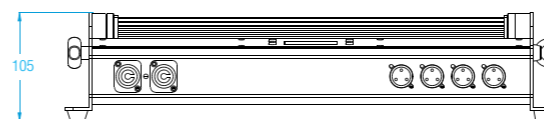
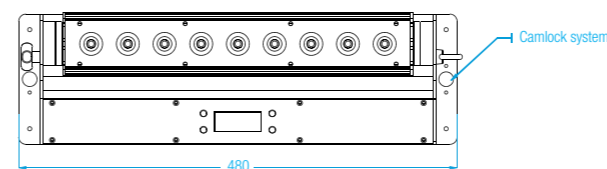
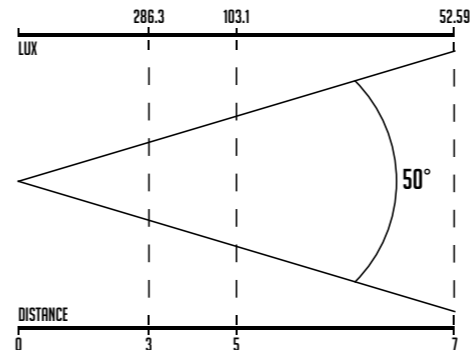
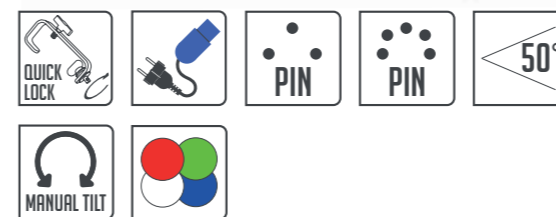
## COMPACT WASH FIXTURE DISTINCTIVE AND UNIQUE

- INTENSE COLORS DUE TO SPECIALLY SELECTED LEDs
- CLEAR MENU STRUCTURE FOR OPERATION SETTINGS
- EXCEPTIONALLY SMOOTH COLOR MIXING
- TILT MANUALLY 60° ADJUSTABLE
- FLICKER FREE OPERATION
- POWERCON IN AND OUT



The CLF LEDwash RGBW is a compact wash fixture with a unique and distinctive design. The horizontal head can be manually adjusted 60°. Combined with the 50° beam angle of the lens, the LEDwash is the perfect solution for illuminating large surfaces like walls, curtains and horizons. The technologies prevent multicolor shadows and provide deep saturated colors. It is also possible to make the beam more diffused by using the included frost lens. The low and compact housing makes the fixture hardly noticeable. The fixture can be placed on the floor or mounted to truss structures by using two pieces of the CLF quicklock hanging clamps.

The CLF LEDwash contains 9 specially selected LEDs which provide deep and intense colors. The powerful LEDs provide extremely high output and ensure flicker-free operation for all types of TV and film use. RGBW and dimming can be controlled in 5 different DMX modes or by using the on-board menu. The fixture contains both powerCON in and out and can be connected with 3-pin and 5-pin XLR.



### FACTSHEET

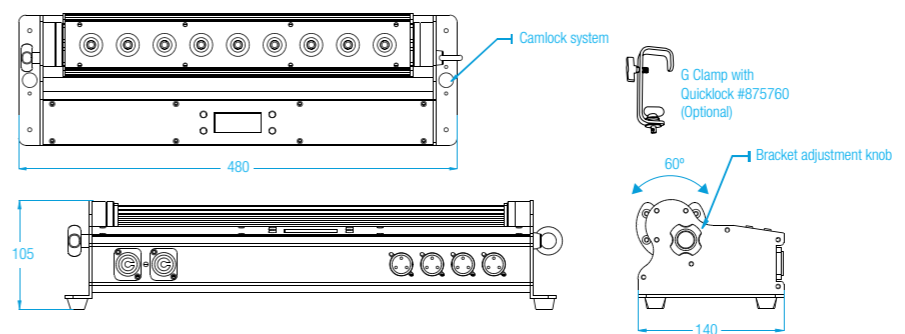
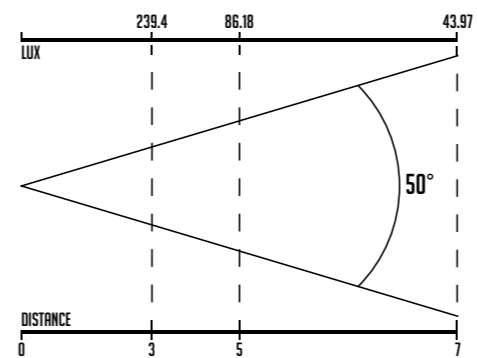
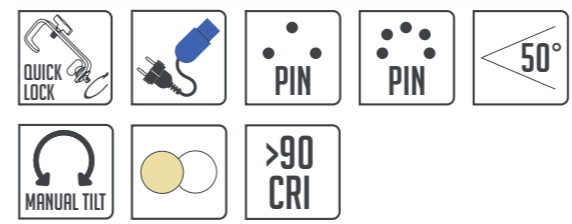
DMX channels	3, 4, 5, 6 or 11 channels
Beam angle	50°
Power supply	100 - 240 VAC
Power consumption	Max. 65 Watt
Cooling	Low noise fan
DMX connection	3 & 5p XLR in & out
Dimensions	480 x 140 x 105 mm (lxwxh)
Weight	3,5 Kg
Certification	CE, RoHS
Item number	156200
Included items	Power cable, Frost & Clear lens, manual
IP rating	IP22
Optional accessories	Flightcase

# LEDWASH CW-WW

## COMPACT WASH FIXTURE

### COLD & WARM WHITE LEDS

- EXTENSIVE WHITE COLOR TEMPERATURE CONTROL (2,800K – 6,500K, CRI>90)
- CLEAR MENU STRUCTURE FOR OPERATION SETTINGS
- SOLID HOUSING, UNIQUE DESIGN
- TILT MANUALLY 60° ADJUSTABLE
- FLICKER FREE OPERATION
- POWERCON IN AND OUT



The CLF LEDwash CW-WW is a compact wash fixture with a unique and distinctive design. The horizontal head can be manually adjusted 60°. Combined with the 50° beam angle of the lens, the LEDwash is the perfect solution for illuminating large surfaces like walls, curtains and horizons. It is also possible to make the edge of the beam more diffused by using the included frost lens. The low and compact housing makes the fixture hardly noticeable. The fixture can be placed on the floor or mounted to truss structures by using the unique CLF quicklock system. This hanging system is easy to use and time-saving.

The CLF LEDwash contains 9 specially selected LEDs which provide cold and warm white with a CRI > 90. The powerful LEDs provide extremely high output and ensure flicker-free operation for all types of TV and camera use. Warm and cold white control between 2,800K and 6,500K and dimming can be adjusted in 3 different DMX modes or by using the on-board menu. The fixture contains both powerCON in and out and can be connected with 3-pin and 5-pin XLR.

#### FACTSHEET

DMX channels	2, 3 or 7 channels
Beam angle	50°
Power supply	100 - 240 VAC
Power consumption	Max. 65 Watt
Cooling	Low noise fan
DMX connection	3 & 5p XLR in & out
Dimensions	480 x 140 x 105 mm (lxwxh)
Weight	3,5 Kg
Certification	CE, RoHS
Item number	156300
Included items	Power cable, Frost & Clear lens, manual
IP rating	IP22
Optional accessories	Flightcase

# LEDBAR PRO

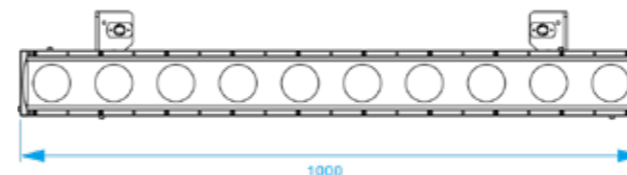
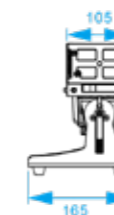
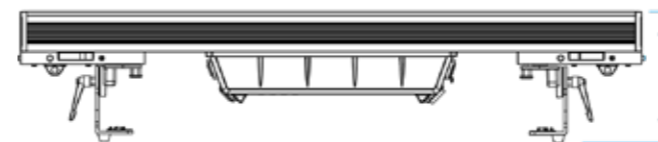
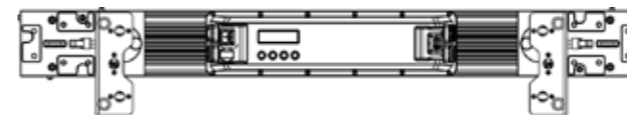
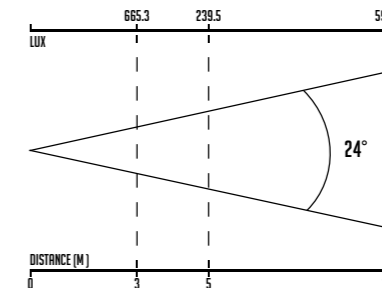
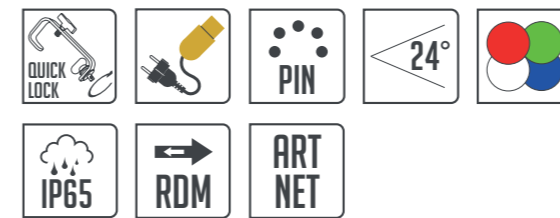
## MULTIFUNCTIONAL LINEAR OUTDOOR LED BATTEN

- 10 BIG INDIVIDUALLY CONTROLLABLE LEDs
- MULTIFUNCTIONAL RIGGING SYSTEM
- INTENSE RGBW COLOR MIXING
- 24° BEAM ANGLE
- IP65 RATING
- RDM READY
- ARTNET & SACN CONTROLLABLE



The CLF LEDbar PRO is a multifunctional linear LED batten. Because of the 24° beam angle it can be used as cyclorama as well as pixel controlled effect machine. 10 Big, individually controllable, high power RGBW LEDs deliver a rich color set and smooth HD dimming. Dynamic effects are easily configured by DMX, but the CLF LEDbar PRO is also Art-Net and sACN ready.

Multiple rigging options are offered by the easily adaptable bracket positioning system and the side lock system offers matrix possibilities. The CLF LEDbar PRO can be used outdoor because of the IP65 rating. The LCD display offers easy access to the menu settings and manual control. Power can be connected through PowerCON TRUE1 connectors.



### FACTSHEET

DMX channels	4, 6, 10, 11, 12, 40, 47
Beam angle	24°
Power supply	100 - 240 VAC
Power consumption	Max. 237 Watt
Cooling	Passive cooling
DMX connection	DMX 5p in & out (3p optional)
Dimensions	1000 x 105 x 210 mm (lxxhx)
Weight	10,2 Kg
Certification	CE, RoHS
Item number	156630
Included items	Power cable, manual
IP rating	IP65
Optional accessories	Flightcase & frostfilter



Case: André Rieu - Maastricht  
Products involved: CLF Yara, CLF Ares & CLF LEDbar PRO  
Photo: Spark

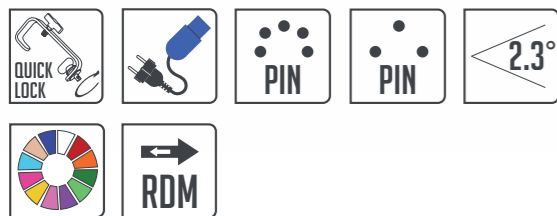
# AORUN

## ULTRA-BRIGHT BEAM FIXTURE

- 2.3° BEAM ANGLE
- 8 & 16 FACET PRISM (COMBINABLE)
- 3 ANIMATION EFFECTS
- 169MM WIDE LENS FOR BIG MID-AIR EFFECTS
- FOLDABLE QUICK TRIGGER CLAMPS ATTACHED

Aorun, an ultra-bright beam fixture which combines high output, fast movements and an extensive feature package. The moving head utilises a 330W HRI light source which produces heavy mid-air effects through the specially designed 169mm lens.

The fixture has an 8 & 16 facet prism on-board. These prisms can be combined for even wider effects. Additionally, the gobo wheel offers 3 animation ranges, creating unique beam effects. A softening frost completes the effect package of the Aorun.



### PHYSICAL

LENGHT	380MM
WIDTH	280MM
HEIGHT (HEAD VERTICAL)	529MM
NET WEIGHT	18.8KG

### EFFECTS

GOBO WHEEL	11 GOBO'S, 3 ANIMATION RANGES & OPEN
COLOR WHEEL	14 COLORS & OPEN
FROST	VARIABLE 0 - 100%
PRISM	8 & 16 FACET (COMBINABLE)
SHUTTER	VARIABLE 0 - 100%, RANDOM & PULSE
DIMMER	0 - 100%

### OPTICAL

SOURCE	OSRAM SIRIUS HRI 330W XL
AVERAGE LIFESPAN	1500H
BEAM ANGLE	2.3°
LENS DIAMETER	169MM

### PHOTOMETRIC

OUTPUT	380000 LX @ 10M
COLOR TEMPERATURE	7600K

### CONNECTIONS

POWER	POWERCON IN AND OUT
DATA	3 & 5 PIN LOCKING XLR
UPDATES	USB

### CONTROL

SETTINGS	LCD DISPLAY
PROTOCOLS	DMX512 & RDM
CHANNELS	14 - 16

### INSTALLATION

MOUNTING	TURNABLE QUICK TRIGGER CLAMPS
ORIENTATION	ANY
PROTECTION RATING	IP20
SAFETY	ATTACHMENT POINT

### MOVEMENTS

PAN	540°
TILT	250°

### ELECTRICAL SPECIFICATION

INPUT	100 - 240V, 50/60 HZ
POWER CONSUMPTION	450W

### THERMAL SPECIFICATION

MIN. AMBIENT TEMP.	-5°C
MAX. AMBIENT TEMP.	35°C
COOLING	FORCED AIR

### ORDERING

CLF AORUN	160020
-----------	--------

### INCLUDED ITEMS

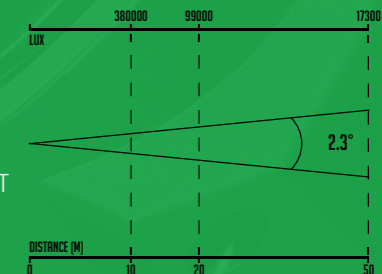
USER MANUAL, POWER CABLE, SAFETY CABLE & DMX CABLE

### APPROVALS

CE COMPLIANT

### OPTIONAL

FLIGHTCASE & HANGING BRACKET SET





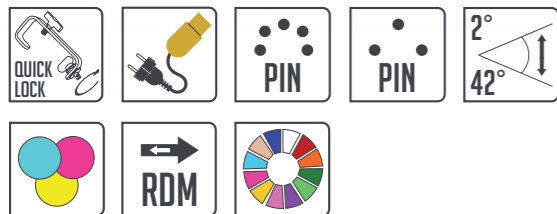
# ORION

## FEATURE PACKED HYBRID LUMINAIRE

- SMOOTH CMY COLOR MIXING
- FIXED COLOR WHEEL
- 2 GOBO WHEELS
- 3 + 1 DOUBLE WHEEL PRISMS
- DOUBLE LINEAR FROST
- 2° - 42° ZOOM WITH AUTOFOCUS
- ANIMATION EFFECT

The CLF Orion is a multifunctional and powerful hybrid. This all-in-one workhorse features a wide lens which allows big mid-air effects. The 471W Osram light source provides a very bright and punchy beam, which can be zoomed from 2° to 42°. Colors can be mixed smoothly by using the CMY wheels, there is also a fixed color wheel available.

Among the effects are a fixed and rotating gobo wheel, both equipped with autofocus when zooming. Next to that, two prism wheels and an animation wheel are also part of the feature package. Two linear frosts are combinable for maximum flexibility. Hotspot control enables smooth projection, and a high CRI filter is available for television and theatre use.



### POWER

INPUT VOLTAGE	100 - 240 VAC, 50/60HZ
STANDBY POWER	498W (LAMP ON)
TOTAL POWER CONSUMPTION	630W
TYPICAL CURRENT	2.7A
COS φ	0.972
POWER PLUG TYPE	SEETRONIC POWERCON TRUE

### SOURCE

LAMP	OSRAM SIRIUS HRI 471W SN
EXPECTED LIFETIME	1500 HOURS
CRI LEVEL	80 (STANDARD), 90+ (WITH HIGH CRI FILTER)

### OPTICAL

BEAM ANGLE	BEAM PROJECTION 2 - 21° SPOT PROJECTION 3 - 42°
------------	--

### PHOTOMETRIC

OUTPUT 2° @10M	422000 LUX
OUTPUT 42° @10M	765 LUX

### EFFECTS

COLOR MIXING	CMY, FIXED COLOR WHEEL
GOBO	ROTATING WHEEL 9 + OPEN FIXED WHEEL 13 + OPEN
PRISM	WHEEL 1: LINEAR, 4-FACET, 8-FACET WHEEL 2: 8-FACET
ANIMATION	CONTINUOUS ANIMATION EFFECT WHEEL
ZOOM	2° - 42°
FROST	1° AND 5° LEVEL FROSTS, COMBINABLE
DIMMING	16 BIT
SHUTTER	0.5 - 9 TIMES / SECOND, RANDOM
PAN	540°
TILT	250°

### HARDWARE

INTERFACE	LCD DISPLAY
SOFTWARE UPLOAD	USB

### HEAT MANAGEMENT

COOLING TYPE	FORCED VENTILATION & AXIAL FANS
MAX. AMBIENT TEMP.	TA MAX=40°C
MIN. AMBIENT TEMP.	TA MIN=-20°C

### CONTROL

CONTROL PROTOCOL	DMX512
DMX CHANNELS	33
RDM	YES
DMX INPUT CONNECTION	3-PIN AND 5-PIN

### INSTALLATION

IP RATING	IP20
ORIENTATION	ANY

### HOUSING

SAFETY ATTACHMENT POINT	BOTTOM
LOCK	TILT LOCK

### PHYSICAL

NET PRODUCT WEIGHT	29KG
LENGTH	401MM
WEIGHT	300MM
HEIGHT	646MM

### INCLUDED ITEMS

MANUAL, POWER CABLE, DMX CABLE & SAFETY CABLE

### APPROVALS

APPROVED CERTIFICATIONS	CE AND ROHS
-------------------------	-------------

### INFORMATION

ARTICLE NUMBER	160025
EAN CODE	8719189163179

### OPTIONAL

FLIGHTCASE & HANGING BRACKET

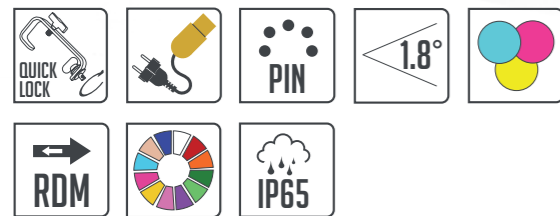
# POSEIDON

## POWERFUL OUTDOOR BEAM

- SMOOTH CMY COLOR MIXING
- IP65 RATING
- GOBO WHEEL WITH ANIMATION RANGE
- DOUBLE PRISM
- FROST
- 190MM WIDE LENS

The CLF Poseidon is a powerful outdoor beam fixture that has been developed for smooth CMY color mixing. Based on the successful CLF Aorun, the Poseidon comes with a fast and accurate feature set including a double prism, gobo wheel, animation section and frost. The 190mm wide lens and unique optics allow big mid-air effects with a bright and punchy beam, delivered by a 400W light source. Colors can be mixed smoothly by using the CMY wheels and a fixed color wheel.

The elegantly shaped, IP65 rated, housing is equipped with specially designed motors enabling fast pan and tilt movements. A bright O-LED screen offers easy access to on-board settings, even in bright environments. All-in all, the Poseidon is one of the fastest and most powerful outdoor beam in its class.



#### POWER

INPUT VOLTAGE	100 - 240 VAC, 50/60HZ
STANDBY POWER	550W
TOTAL POWER CONSUMPTION	650W
TYPICAL CURRENT	2.83A
POWER PLUG TYPE	SEETRONIC POWERCON TRUE

#### SOURCE

LAMP	USHIO 400W
EXPECTED LIFETIME	4000 HOURS

#### OPTICAL

BEAM ANGLE	BEAM PROJECTION 1.8°
------------	----------------------

#### PHOTOMETRIC

OUTPUT @10M	564000 LUX
OUTPUT @50M	25400 LUX

#### EFFECTS

COLOR MIXING	CMY, 14 + OPEN COLOR WHEEL
GOBO	14 + OPEN FIXED WHEEL
PRISM	8-FACET ROUND, 16-FACET ROUND
FROST	6° WASH
DIMMING	0 - 100%
SHUTTER	12HZ / SECOND, RANDOM
PAN	540°
TILT	240°

#### HARDWARE

INTERFACE	LCD DISPLAY
SOFTWARE UPLOAD	DMX, VIA SPECIAL BOX

#### HEAT MANAGEMENT

COOLING TYPE	REGULATED FANS
MAX. AMBIENT TEMP.	TA MAX=40°C
MIN. AMBIENT TEMP.	TA MIN=-20°C

#### CONTROL

CONTROL PROTOCOL	USITT DMX512/1990
DMX CHANNELS	17
RDM	YES
WDMX	YES
DMX INPUT CONNECTION	5-PIN

#### INSTALLATION

IP RATING	IP65
ORIENTATION	ANY

#### HOUSING

SAFETY ATTACHMENT POINT LOCK	YES TILT LOCK
------------------------------	------------------

#### PHYSICAL

NET PRODUCT WEIGHT	35KG
LENGTH	726MM
WEIGHT	488MM
HEIGHT	312MM

#### ACCESSORIES

INCLUDED ITEMS	MANUAL, POWER CABLE
----------------	---------------------

#### APPROVALS

APPROVED CERTIFICATIONS	CE AND ROHS
-------------------------	-------------

#### INFORMATION

ARTICLE NUMBER	160030
EAN CODE	8719189163995

#### OPTIONAL

FLIGHTCASE & HANGING BRACKET	
------------------------------	--



Case: I Am Hardstyle  
Products involved: CLF Aorun, CLF Orion, CLF Conan & CLF Yara  
Photo: Spark





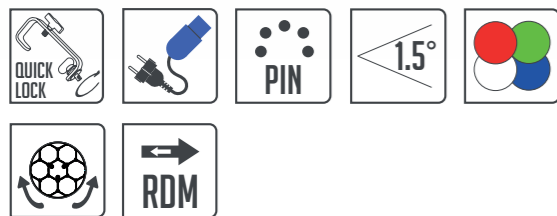
# BEAM 6

## FAST & LIGHTWEIGHT LED BEAM

- 1.5° BEAM ANGLE
- FAST MOVEMENTS
- ROTATABLE LENS FOR SPECIAL BEAM EFFECTS
- LCD TOUCHSCREEN FOR MENU SETTINGS
- ONLY 3.8KG

The Beam 6 is a small and lightweight LED fixture which delivers a powerful 1.5° beam. Additionally, the kaleidoscopic effect offers a wide effect scope. All settings of the Beam 6 can be adjusted in the on board touch screen.

Due to its small footprint and weight, the Beam 6 is ideal for matrix effects. Fast and precise movements complete the feature set. The fixture is equipped with 5 pin DMX, PowerCON input and output.



### PHYSICAL

LENGTH	226MM
WIDTH	226MM
HEIGHT (HEAD VERTICAL)	286MM
NET WEIGHT	3.8KG

### EFFECTS

COLOR	RGBW COLOR SYSTEM
KALEIDOSCOPIIC EFFECT	6° - 51°
SHUTTER	VARIABLE 0 - 100%, RANDOM & PULSE
DIMMER	0 - 100%

### OPTICAL

SOURCE	6X 10W RGBW 4 IN 1 LEDS
AVERAGE LIFESPAN	50000H
BEAM ANGLE	6° - 51°

### PHOTOMETRIC

OUTPUT	10600 LX @ 3M
--------	---------------

### CONNECTIONS

POWER	POWERCON IN AND OUT
DATA	5 PIN LOCKING XLR

### CONTROL

SETTINGS	TFT TOUCHSCREEN
PROTOCOLS	DMX512 & RDM
CHANNELS	11 - 17
UPDATES	BY DMX

### INSTALLATION

MOUNTING	OMEGA BRACKET
ORIENTATION	ANY
PROTECTION RATING	IP20
SAFETY	ATTACHMENT POINT

### MOVEMENTS

PAN	540°
TILT	180°

### ELECTRICAL SPECIFICATION

INPUT	100 - 240V, 50/60HZ
POWER CONSUMPTION	91W

### ELECTRICAL SPECIFICATION

MIN. AMBIENT TEMP.	-5°C
MAX. AMBIENT TEMP.	35°C
COOLING	FORCED AIR

### ORDERING

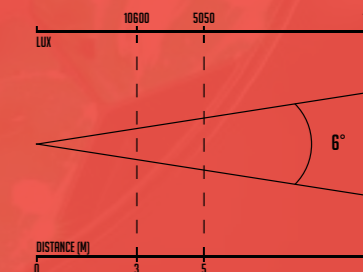
CLF BEAM 6	160000
------------	--------

### INCLUDED ITEMS

USER MANUAL, POWER CABLE & DMX CABLE

APPROVALS  
CE COMPLIANT  
ROHS

OPTIONAL  
FLIGHTCASE



# STINGER

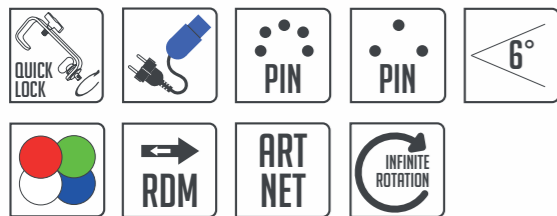
## FEATURE-PACKED EFFECT MACHINE



- 6° BEAM ANGLE
- CONTINUOUS MOVEMENTS
- INDIVIDUAL CONTROLLABLE LEDs
- STAR EFFECT
- ART-NET CONTROLLABLE PIXEL EFFECTS
- REFLECTOR MODULE ON BACKSIDE
- LOW NOISE CONTROLLABLE FAN

The Stinger is a feature-packed moving head. 36 RGBW, pixel controllable, high output LEDs provide many creative possibilities. A 6° punchy beam angle ensures impressive mid-air effects. The additional 49 CW LED star effect and the reflector module on the backside make the Stinger the ultimate multi effect LED fixture. Matrix effects can be controlled by Art-Net.

All features come in a rugged and touring-proof housing which can move continuously. The fixture can be rigged in any position by using the supplied omega bracket.



### PHYSICAL

LENGTH	466MM
WIDTH	246MM
HEIGHT (HEAD VERTICAL)	575MM
NET WEIGHT	20KG

### EFFECTS

COLOR	36 INDIVIDUAL CONTROLLABLE RGBW LEDs MACRO EFFECTS
STAR EFFECT	49 INDIVIDUAL CONTROLLABLE CW LEDs MACRO EFFECTS
SHUTTER DIMMER	VARIABLE 0 - 100%, RANDOM & PULSE 0 - 100%

### OPTICAL

SOURCE	36X RGBW LEDs & 49 CW LEDs
BEAM ANGLE	6°

### PHOTOMETRIC

OUTPUT	25800 LX @ 5M
--------	---------------

### CONNECTIONS

POWER	POWERCON IN AND OUT
DATA	3 AND 5 PIN LOCKING XLR, RJ45

### CONTROL

SETTINGS	LCD DISPLAY
PROTOCOLS	DMX512, RDM & ART-NET
CHANNELS	21 / 22 (DMX) / 144 (VIDEO) / 166 / 206
UPDATES	BY DMX LINK

### APPROVALS

CE COMPLIANT & ROHS

### INSTALLATION

MOUNTING	OMEGA BRACKETS
ORIENTATION	ANY
PROTECTION RATING	IP20
SAFETY	ATTACHMENT POINT

### MOVEMENTS

PAN	INFINITE
TILT	INFINITE
RESOLUTION	16 BIT

### ELECTRICAL SPECIFICATION

INPUT	100 - 240V, 50/60HZ
POWER CONSUMPTION	580W

### ELECTRICAL SPECIFICATION

MIN. AMBIENT TEMP.	0°C
MAX. AMBIENT TEMP.	35°C
COOLING	LOW NOISE CONTROLLABLE FAN

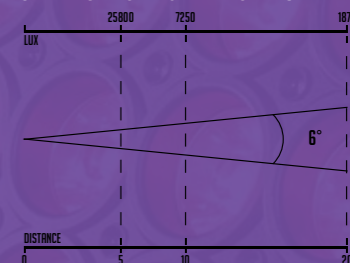
### ORDERING

CLF STINGER	160110
-------------	--------

### INCLUDED ITEMS

USER MANUAL, POWER CABLE & 2 OMEGA BRACKETS

### OPTIONAL FLIGHTCASE



NEW!

# SERIUS

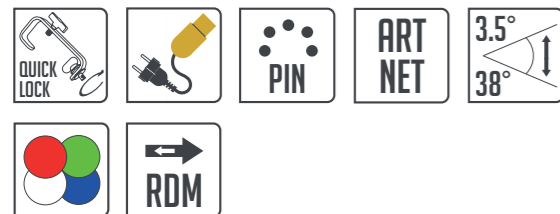
## MOVING LED BAR

- SMOOTH RGBW COLOR MIXING
- 3.5° – 38° ZOOM (2 SEGMENTS)
- BATTERY BACKUP FOR MENU SETTINGS
- 12 INDIVIDUALLY CONTROLLABLE LEDs
- 220° TILT ANGLE



CLF Serius is a moving LED bar with a length of 1 meter. It comes with 12 high power RGBW LEDs which can be controlled individually. The zoom range of the Serius is divided in two segments which can be moved independently from 3,5° to 38°.

The shape of the CLF Serius makes sure that the LEDs will have even spacing when multiple fixtures are combined. This creates a seamless light curtain. The bar can be tilted precisely and smoothly by 220°.



<b>POWER</b>	
INPUT VOLTAGE	100 - 240 VAC, 50/60HZ
STANDBY POWER	31W
TOTAL POWER CONSUMPTION	450W
TYPICAL CURRENT	1.9A
POWER PLUG TYPE	SEETRONIC POWERCON TRUE

<b>SOURCE</b>	
LAMP	OSRAM LE RTDUW S2WN
EXPECTED LIFETIME	30.000 HOURS

<b>PHOTOMETRIC</b>	
OUTPUT 3.5° @1M	275225 LUX
OUTPUT 3.5° @5M	11009 LUX

<b>EFFECTS</b>	
DIMMING	0 - 100%
TILT	220°

<b>HARDWARE</b>	
INTERFACE	OLED DISPLAY
SOFTWARE UPLOAD	VIA DMX INPUT

<b>HEAT MANAGEMENT</b>	
COOLING TYPE	REGULATED FANS
MAX. AMBIENT TEMP.	TA MAX=40°C
MIN. AMBIENT TEMP.	TA MIN=0°C
MAX. SURFACE TEMP.	65°C

<b>CONTROL</b>	
CONTROL PROTOCOL	ARTNET, RDM READY & DMX512
DMX CHANNELS	14, 57
RDM	YES
DMX INPUT CONNECTION	3-PIN AND 5-PIN XLR

<b>INSTALLATION</b>	
IP RATING	IP22
ORIENTATION	ANY

<b>HOUSING</b>	
SAFETY ATTACHMENT POINT	YES

<b>PHYSICAL</b>	
NET PRODUCT WEIGHT	17KG
LENGTH	1000MM
WEIGHT	113MM
HEIGHT	278MM

<b>INCLUDED ITEMS</b>	
MANUAL, POWER CABLE, OMEGA BRACKETS	

<b>APPROVALS</b>	
APPROVED CERTIFICATIONS	CE AND ROHS

<b>INFORMATION</b>	
ARTICLE NUMBER	156650
EAN CODE	8719189163902

<b>OPTIONAL</b>	
FLIGHTCASE & HANGING BRACKET	



The Dutch

Case: Dutch Queen Tribute  
Products involved: CLF Ares & CLF Orion  
Photo: Femke de Schepper

# HAZE I

## BUILT-IN-FLIGHTCASE TOURING HAZER

- POWER: 1100W
- HEAT-UP TIME: 50 SECONDS
- ADJUSTABLE NOZZLE ANGLE
- 3 & 5 PIN DMX
- FLUID CONTAINER: 3,5L



The CLF Haze I is a touring hazer which comes in a ready to use flightcase. The specially designed heating system reduces the warm up time to only 50 seconds.

It's capability to produce a fine haze at any output level makes it the ideal solution for a wide range of applications.

### FACTSHEET

DMX channels	2
Power supply	100 - 240 VAC 50/60HZ
Power consumption	1100W
DMX connection	XLR 3 & 5p in & out
Dimensions	425 x 390 x 242mm (h x w x l)
Weight	15,5 Kg
Fluid consumption	83min/L
Fluid capacity	3,5L
Output	12.000 CUFT/min
Item number	850-1110
Included items	Power cable, manual
Optional	CLF Haze fluid

# HAZE II

## BUILT-IN-FLIGHTCASE TOURING HAZER

- POWER: 1200W
- HEAT-UP TIME: 50 SECONDS
- ADJUSTABLE NOZZLE ANGLE
- 3 & 5 PIN DMX
- FLUID CONTAINER: 5L



The CLF Haze II is a touring hazer which comes in a ready to use flightcase. The specially designed heating system reduces the warm up time to only 50 seconds.

It's capability to produce a fine haze at any output level makes it the ideal solution for a wide range of applications.

### FACTSHEET

DMX channels	2
Power supply	100 - 240 VAC 50/60HZ
Power consumption	1200W
DMX connection	XLR 3 & 5p in & out
Dimensions	510 x 390 x 265mm (h x w x l)
Weight	14 Kg
Fluid consumption	83min/L
Fluid capacity	5L
Output	12.000 CUFT/min
Item number	850-2110
Included items	Power cable, manual
Optional	CLF Haze fluid

# EF SMOKE 1500

## VERTICAL SMOKE MACHINE

- POWER: 1500W
- HEAT-UP TIME: 4 MINUTES
- WIRELESS REMOTE
- 32X 3W RGB LEDS
- 3 & 5 PIN DMX
- FLUID CONTAINER: 2,5L



The EF Smoke 1500 is a vertical fog machine, equipped with powerful RGB LEDs which are divided in two segments. Special stop and go technology ensures accurate heavy smoke effects.

It can be controlled by DMX, stand alone or wireless by using the included remote. Attachment points in the base of the machine provides horizontal and vertical mounting options.

### FACTSHEET

DMX channels	11
Power supply	100 - 240 VAC 50/60HZ
Power consumption	1500W
DMX connection	XLR 3 & 5p in & out
Dimensions	471 x 382 x 205mm (hxxwxl)
Weight	10 Kg
Fluid consumption	6,3min/L
Fluid capacity	2,5L
Output	32.000 CUFT/min
Item number	850-0210
Optional	Flightcase
Included items	Power cable, manual
Optional	CLF Smoke & Steam fluid



# EF SMOKE 3100

## VERTICAL SMOKE MACHINE

- POWER: 3100W
- HEAT-UP TIME: 4 MINUTES
- WIRELESS REMOTE
- 32X 5W RGB LEDS
- 3 & 5 PIN DMX
- FLUID CONTAINER: 2,5L



The EF Smoke 3100 is a vertical fog machine, equipped with powerful RGB LEDs which are divided in two segments. Special stop and go technology ensures accurate heavy smoke effects.

It can be controlled by DMX, stand alone or wireless by using the included remote. Attachment points in the base of the machine provides horizontal and vertical mounting options.

### FACTSHEET

DMX channels	11
Power supply	100 - 240 VAC 50/60HZ
Power consumption	3100W
DMX connection	XLR 3 & 5p in & out
Dimensions	475 x 401 x 205mm (hxxwxl)
Weight	16 Kg
Fluid consumption	3,7min/L
Fluid capacity	2,5L
Output	54.000 CUFT/min
Item number	850-0110
Optional	Flightcase
Included items	Power cable, manual
Optional	CLF Smoke & Steam fluid



# TURBINE

## POWERFUL TOURING FAN

- WIRELESS REMOTE
- 270° MANUALLY ADJUSTABLE TILT ANGLE
- 3 & 5 PIN DMX
- SOLID METAL HOUSING



The Turbine is a powerful touring fan with high-strength plastic blades and a solid metal housing for a durable and long-lasting lifespan. The fan can be controlled manually by using the on-board menu, by wireless remote or by DMX.

The speed of the fan is adjustable from 1%-100%. The Turbine can be mounted in any position and the airflow direction is manually adjustable.



### FACTSHEET

DMX channels	1
Power supply	100 - 240 VAC 50/60HZ
Power consumption	150W
DMX connection	XLR 3 & 5p in & out
Dimensions	443 x 250 x 470mm (hwxw)
Weight	11 Kg
Output	from 1350 R/min to 1500 R/min
Item number	850-2010
Optional	Flightcase
Included items	Power cable, manual & brackets

# W-BRIDGE

## WIRELESS DMX TRANSMITTER AND RECEIVER COMPLETE PACKAGE INCLUDING CLF TOURCASE

- POWERED BY WIRELESS SOLUTION
- PLUG & PLAY
- SOLID AND SMART HOUSING
- ONE BUTTON CONTROL
- COMPATIBLE WITH OTHER WIRELESS SOLUTIONS PRODUCTS
- 2,4 GHZ BAND



The CLF W-Bridge is a complete plug and play wireless DMX kit which includes a transmitter/receiver, receiver, antennas and CLF Tourcase. The W-Bridge uses the Wireless Solution® protocol to ensure a reliable wireless transmission of one DMX universe (512 channels).

The system can be configured by pushing one button and uses Frequency Hopping Spread Spectrum technology to ensure a reliable connection. The package comes with sender, receiver, power cables and CLF Tourcase 140 including special milled out foam with room for all accessories.

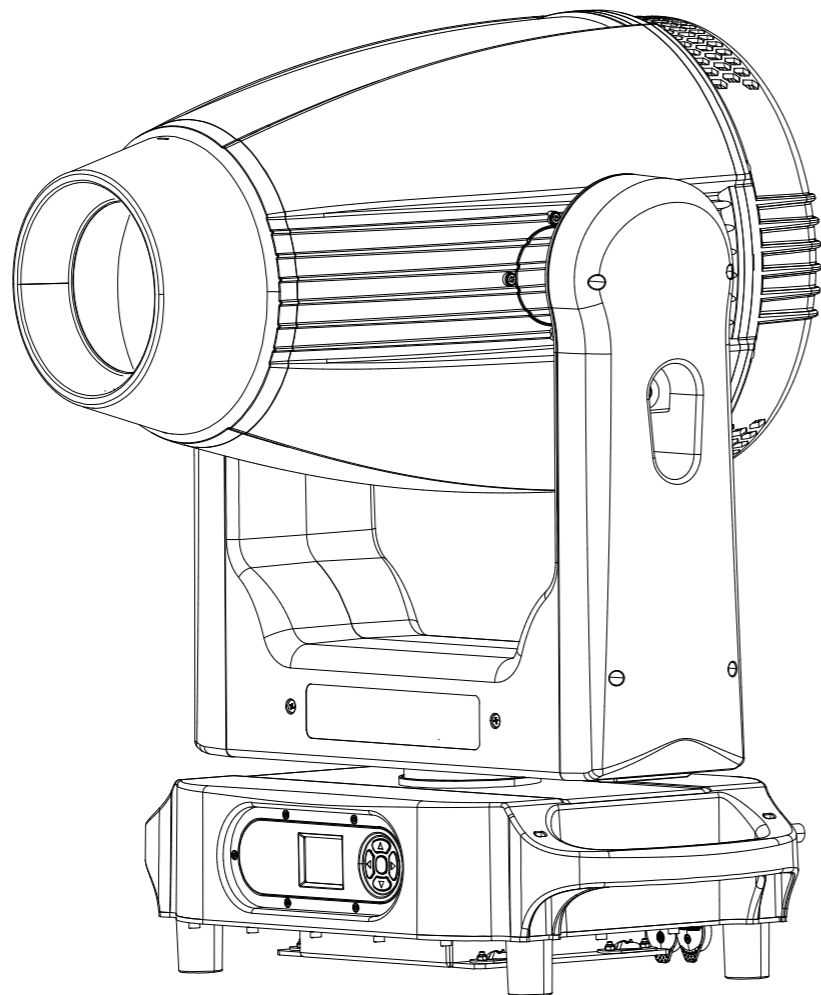
### FACTSHEET

DMX channels	512 (1 universe)
Power supply	110 -240 VAC
Power consumption	Max. 6 Watt
DMX connection	5p XLR in & out
Dimensions	145x120x60mm (hwxw)
Dimensions of case	410x342x205mm
Weight	1 Kg
Item number set	222-1000
Item number single receiver	222-0020
Included items	Sender/receiver, receiver, power cables, CLF tourcase antennas & manual

# ORION IP65

POWERFUL OUTDOOR HYBRID

- SMOOTH CMY COLOR MIXING
- FIXED COLOR WHEEL
- 2 GOBO WHEELS
- 3 + 1 DOUBLE WHEEL PRISMS
- DOUBLE LINEAR FROST
- 2° – 42° ZOOM WITH AUTOFOCUS
- ANIMATION EFFECT

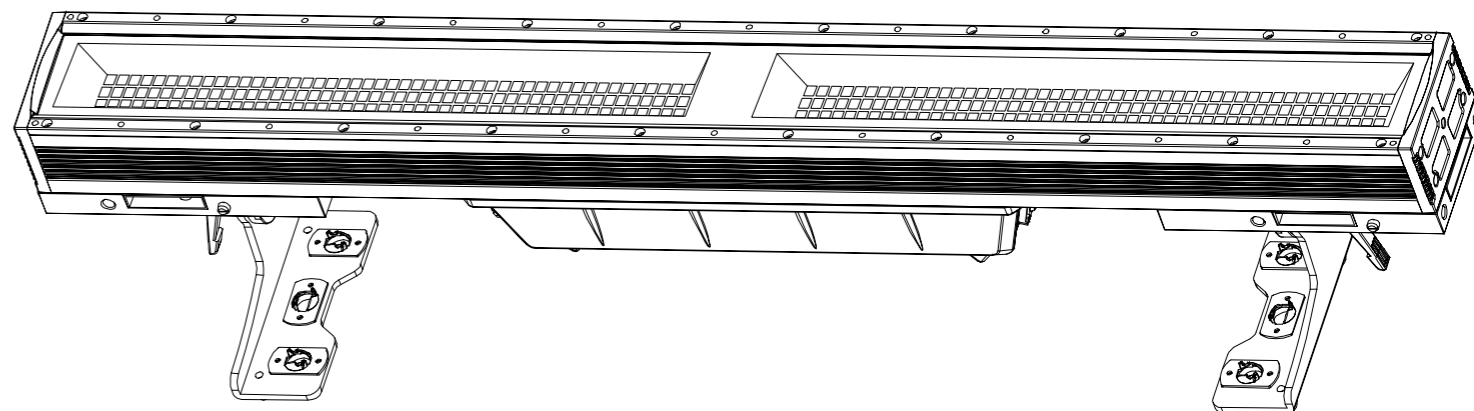


COMING SOON!

# LEDBAR STROBE

POWERFUL LINEAR OUTDOOR LED STROBE

- 8 INDIVIDUALLY CONTROLLABLE SEGMENTS
- MULTIFUNCTIONAL RIGGING SYSTEM
- IP65 RATING
- RDM READY
- ARTNET & SACN CONTROLLABLE



COMING SOON!





Case: Snollebollekes  
Products involved: CLF Aorun  
Photo: Spark

# TOURCASES

- STRONG AND STURDY DESIGN
- LIFE TIME WARRANTY UNDER NORMAL USE
- PROTECTION DEGREE IP65
- WORKING TEMPERATURE -40° ~ 90°
- IMPACT CASE RESISTANCE CASE BODY
- ERGONOMIC HANDLE WITH RUBBER COATING



## TOURCASE 115

External DIM.(LxWxD) 270 x 231 x 185 mm  
 Internal DIM.(LxWxD) 243 x 182 x 157 mm  
 Material Engineer Resin+Glass fibre  
 Weight 1.4 Kg  
 Volume 6.57 L  
 Buoyancy MAX. 6.38 Kg  
 Supplied with solid cube foam



## TOURCASE 130

External DIM.(LxWxD) 308 x 269 x 150 mm  
 Internal DIM.(LxWxD) 280 x 200 x 122 mm  
 Material Engineer Resin+Glass fibre  
 Weight 1.99 Kg  
 Volume 6.44 L  
 Buoyancy MAX. 6.16 Kg  
 Supplied with solid cube foam



## TOURCASE 140

External DIM.(LxWxD) 410 x 342 x 204 mm  
 Internal DIM.(LxWxD) 380 x 271 x 178.5 mm  
 Material Engineer Resin+Glass fibre  
 Weight 3.98 Kg  
 Volume 17.9 L  
 Buoyancy MAX. 17.4 Kg  
 Supplied with solid cube foam



## TOURCASE 142

External DIM.(LxWxD) 450 x 340 x 160 mm  
 Internal DIM.(LxWxD) 430 x 300 x 150 mm  
 Material Engineer Resin+Glass fibre  
 Weight 2.20 Kg  
 Volume 15 L  
 Buoyancy MAX. 15 Kg  
 Supplied with solid cube foam



## TOURCASE 144

External DIM.(LxWxD) 479 x 415 x 150 mm  
 Internal DIM.(LxWxD) 448 x 345 x 121 mm  
 Material Engineer Resin+Glass fibre  
 Weight 4.34 Kg  
 Volume 15 L  
 Buoyancy MAX. 16,30 Kg  
 Supplied with solid cube foam



## TOURCASE 146

External DIM.(LxWxD) 479 x 415 x 217 mm  
 Internal DIM.(LxWxD) 448 x 345 x 186 mm  
 Material Engineer Resin+Glass fibre  
 Weight 5,18 Kg  
 Volume 28,5 L  
 Buoyancy MAX. 26,8 Kg  
 Supplied with solid cube foam



## TOURCASE 148

External DIM.(LxWxD) 557 x 348 x 248 mm  
 Internal DIM.(LxWxD) 521 x 278 x 190.8 mm  
 Material Engineer PP with fiberglass  
 Weight 7,6 Kg  
 Volume 28,5 L  
 Buoyancy MAX. 27,4 Kg  
 With trolley and wheels  
 Perfectly designed as personal tool case  
 Possible to choose solid cube foam as interior



## TOURCASE 150

External DIM.(LxWxD) 557 x 348 x 199 mm  
 Internal DIM.(LxWxD) 526x 275 x 169,5 mm  
 Material Engineer Resin+Glass fibre  
 Weight 4,98 Kg  
 Volume 20,28 L  
 Buoyancy MAX. 19,5 Kg



## TOURCASE 155

External DIM.(LxWxD) 610 x 472 x 275 mm  
 Internal DIM.(LxWxD) 540 x 402 x 250 mm  
 Material Engineer Resin+Glass fibre  
 Weight 8 Kg  
 Volume 73.10 L  
 Buoyancy MAX. 73 Kg  
 With trolley and wheels



## TOURCASE 160

External DIM.(LxWxD) 670 x 508 x 355 mm  
 Internal DIM.(LxWxD) 584 x 442 x 329 mm  
 Material Engineer PP with Glass fibre  
 Weight 10,92 Kg  
 Volume 82,21 L  
 Buoyancy MAX. 83,2 Kg  
 With trolley and wheels



## TOURCASE 170

External DIM.(LxWxD) 851 x 556 x 429 mm  
 Internal DIM.(LxWxD) 763 x 483 x 402 mm  
 Material Engineer Resin with fiberglass  
 Weight 16,67 Kg  
 Volume 145,84 L  
 Buoyancy MAX. 143 Kg  
 With trolley and wheels



# FLIGHTCASES

- WELL THOUGHT-OUT DESIGN
- MADE OF 10MM BIRCH WITH HPL TOP LAYER
- TRUCKSIZE
- CAD DRAWN & CNC MILLED, 100% ACCURATE
- CLF BRANDING ON FRONTPANEL AND HANDLES



## FLIGHTCASE CLF ARES XS

Size 1000 x 600 x 546 mm  
Art. No. 560-0147



## FLIGHTCASE CLF EF SMOKE 3100

Size 466 x 540 x 266 mm  
Art. No. 560-0511



## FLIGHTCASE CLF STINGER

Size 1000 x 600 x 786 mm  
Art. No. 560-0253



## FLIGHTCASE CLF AORUN

Size 800 x 600 x 721 mm  
Art. No. 560-0251



## FLIGHTCASE CLF BEAM 6

Size 1000 x 600 x 525 mm  
Art. No. 560-0261



## FLIGHTCASE CLF LEDBAR PRO

Size 1200 x 600 x 400 mm  
Art. No. 560-0103



## FLIGHTCASE CLF TURBINE

Size 555 x 375 x 650 mm  
Art. No. 560-0551



## FLIGHTCASE CLF APOLLO

Size 800 x 600 x 845mm  
Art. No. 560-0104



## FLIGHTCASE CLF EF SMOKE 1500

Size 447 x 475 x 266 mm  
Art. No. 560-0501



## FLIGHTCASE CLF LEDWASH XL, RGWW & CW-WW

Size 800 x 600 x 380 mm  
Art. No. 560-0102



## FLIGHTCASE CLF XENA, TRICOLOR MINI PAR & QUADCOLOR MINI PAR

Size 800 x 600 x 546 mm  
Art. No. 560-0121



## FLIGHTCASE CLF ARES

Size 1200 x 600 x 596 mm  
Art. No. 560-0143



## FLIGHTCASE CLF YARA, HERA, CONAN, HERCULES, DYNAMIC WHITE PAR, COLOR PAR 12 & SPECTRUM P2

Size 1000 x 600 x 615 mm  
Art. No. 560-0201



## FLIGHTCASE CLF ORION

Size 800 x 600 x 845mm  
Art. No. 560-0252

All our flightcases are constructed with:

- 2mm thick aluminum profiles with a groove connection
- 2mm thick closing profile
- 10mm birch with HPL top layer and phenol finish inside
- Heavy duty Penn-Elcom hardware
- Interior milled into the sides, guarantee for the highest strength
- 100% accuracy for repetitions, eg stacking of boxes with wheels and interchangeability of lids

# CABLES



**EXTENSION CABLE  
XLR5 MALE - XLR3 FEMALE 50 CM**  
Item number 911363



**EXTENSION CABLE  
XLR3 MALE - XLR5 FEMALE 50 CM**  
Item number 911364



**SCHUKO-POWERCON TRUEIF CONNECTOR  
3 X 1.5 MM<sup>2</sup>, 1.8 M**  
Item number 911141



**SCHUKO-POWERCON CONNECTOR  
3 X 1.5 MM<sup>2</sup>, 1.5 M**  
Item number 911140



**MICROPHONE CABLE**  
Item number 900800



**DMX CABLE (PER METER)**  
Item number 900825: single pair  
Item number 900826: 2x single pair



**CABLES FOR QUADCOLOR  
MINI PAR RGBW**  
Item number 156121: 1,2 m (power input)  
Item number 156122: 3 m (power link)  
Item number 156123: 5 m (power link)  
Item number 156124: 3 m (DMX link)



**EXTENSION ADAPTER  
XLR 5P MALE - XLR 3P FEMALE**  
Item number 920230



**EXTENSION ADAPTER  
XLR 5P FEMALE - XLR 3P MALE**  
Item number 920220



**XLR 3-PIN CABLE CONNECTOR - MALE**  
Item number 920210



**XLR 3-PIN CABLE CONNECTOR - FEMALE**  
Item number 920200



**EXTENSION CABLE XLR3 MALE/FEMALE**  
Item number 911200: 80 cm  
Item number 911201: 1.5 mtr  
Item number 911203: 3 mtr  
Item number 911205: 5 mtr  
Item number 911206: 10 mtr  
Item number 911207: 15 mtr  
Item number 911209: 20 mtr



**EXTENSION CABLE XLR5 MALE/FEMALE**  
Item number 911210: 80 cm  
Item number 911211: 1.5 mtr  
Item number 911213: 3 mtr  
Item number 911215: 5 mtr  
Item number 911216: 10 mtr  
Item number 911217: 15 mtr  
Item number 911219: 20 mtr



# CLAMPS



**HOOK CLAMP**  
Clamp size 30mm  
Color Chrome  
SWL 50kg  
Fixing M12 (not included)  
Item number 520135



**HOOK CLAMP**  
Clamp size 50mm  
Color Chrome or Black  
SWL 50kg  
Fixing: M12 (not included)  
Item number Chrome 520139  
Item number Black 520138



**HOOKCLAMP WITH WINGBOLT**  
Color Black  
SWL 50KG  
Item number 875760



**OMEGA BRACKET**  
Color Chrome or Black  
SWL 50KG  
Item number Chrome 520114  
Item number Black 520113



**OMEGA BRACKET (JUNO)**  
Color Black  
SWL 50KG  
Item number 520115



**SUPERCLAMP**  
SWL 15KG  
Fixing M12 (not included)  
Item number 520132



**QUICK HEAVY DUTY CLAMP**  
Color Black  
SWL 100kg  
Fixing M12 (not included)  
Item number 5201390



**SLIMLINE HALF COUPLER**  
Color Chrome or Black  
SWL 750KG  
Fixing M12 (not included)  
Item number Chrome 520133  
Item number Black 520128



**SLIMLINE SWIVEL COUPLER**  
Color Chrome or Black  
SWL 750KG  
Fixing M12 (not included)  
Item number Chrome 520116  
Item number Black 520117



**SWIVEL COUPLER**  
Color Chrome  
SWL 750KG  
Item number Chrome 520131  
Item number Black 520129



**HEAVY DUTY CLAMP**  
Color Chrome or Black  
SWL 200KG  
Fixing M12 (not included)  
Item number Chrome 520136  
Item number Black 520137



**HALF COUPLER**  
SWL 750KG  
Fixing M12 (not included)  
Item number 520132



**LIGHTWEIGHT HALF COUPLER**  
SWL 100KG  
Fixing M12 (not included)  
Item number 520132

NEW!

NEW!